

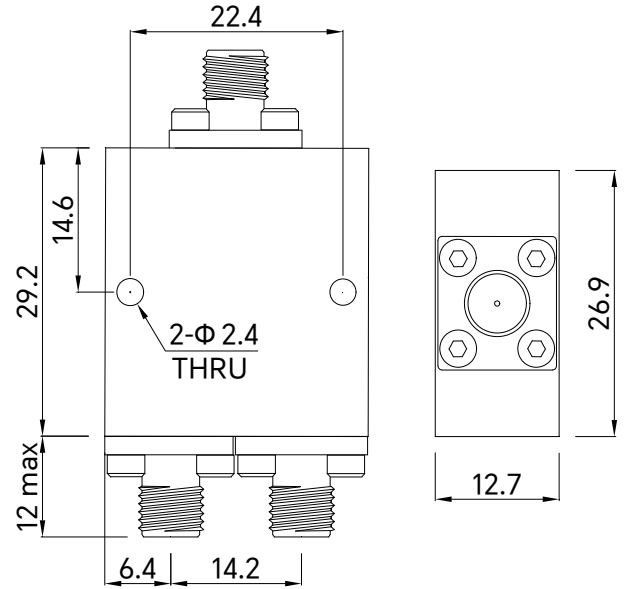
PART NUMBER
TMPD2-06001800-30SA

| REV. | DATE | COMMENTS | INITIAL |
|------|-----------|---------------------|---------|
| A | 2020/4/25 | ENGINEERING RELEASE | |

Specifications

| | |
|-----------------------|---|
| Frequency Range | 6-18GHz |
| Insertion Loss | 0.7dB max@6-18GHz (excluding theoretical insertion loss 3.0dB) |
| VSWR | 1.4 max@6-18GHz |
| Isolation | 18dB min@6-18GHz |
| Amplitude Balance | ± 0.2dB max@6-18GHz |
| Phase Balance | ± 3° max@6-18GHz |
| Impedance | 50 Ohm |
| Forward Power | 30W max |
| Reverse Power | 5W max |
| Peak Power | 3KW max |
| Connectors | SMA-Female |
| Connector Body | Stainless Steel, Passivated |
| Surface Finish | Nickel Plated |
| Operating Temperature | -55°C~+85°C |
| Storage Temperature | -55°C~+100°C |
| Dimensions | 29.2 × 26.9 × 12.7mm |

RoHS Compliant



Drawing not to scale, units:mm



www.titan-microwave.com
Tel: +86 130 866 58398
Email: sales@titan-microwave.com
chris@titan-microwave.com

| | | |
|--|---------------------------|--|
| PART NUMBER TMPD2-06001800-30SA | | DESCRIPTION Power Divider, 2 Way, 6-18GHz 30W, SMA-Female |
| CAGE CODE | SIGNATURE _____ | |
| EXCEPT AS OTHERWISE PROVIDED BY CONTRACTOR THIS DRAWING OR SPECIFICATION IS PROPERTY OF TITAN MICROWAVE INC. IT IS ISSUED IN STRICT CONFIDENCE AND SHALL NOT BE REPRODUCED OR USED AS THE BASIS. | | |