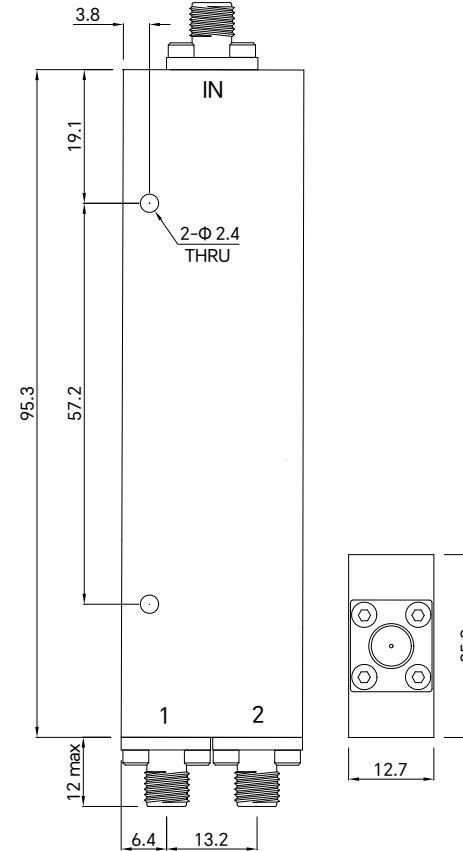


PART NUMBER TMPD2-01006700-12V	REV.	DATE	COMMENTS	INITIAL
	A	2020/4/25	ENGINEERING RELEASE	

Specifications

Frequency Range	1-67GHz
Insertion Loss	1.4dB max@1-18GHz, 2.6dB max@18-40GHz 3.3dB max@40-50GHz, 3.9dB max@50-67GHz (excluding theoretical insertion loss 3.0dB)
VSWR	1.5 max@1-18GHz, 1.6 max@18-40GHz 1.7 max@40-67GHz
Isolation	16dB min@1-18GHz, 18dB min@18-67GHz
Amplitude Balance	± 0.3dB max@1-18GHz, ± 0.4dB max@18-40GHz ± 0.5dB max@40-50GHz, ± 0.6dB max@50-67GHz
Phase Balance	± 4° max@1-18GHz, ± 5° max@18-40GHz ± 7° max@40-50GHz, ± 8° max@50-67GHz
Impedance	50 Ohm
Forward Power	12W max
Reverse Power	1W max
Peak Power	1KW max
Connectors	1.85mm-Female
Connector Body	Stainless Steel, Passivated
Operating Temperature	-55°C~+85°C
Storage Temperature	-55°C~+100°C
Dimensions	95.3 × 25.9 × 12.7mm

RoHS Compliant



Drawing not to scale, units:mm



www.titan-microwave.com
Tel: +86 130 866 58398
Email: sales@titan-microwave.com
chris@titan-microwave.com

PART NUMBER TMPD2-01006700-12V		DESCRIPTION Power Divider, 2 Way, 1-67GHz 12W, 1.85mm-Female
CAGE CODE	SIGNATURE	
EXCEPT AS OTHERWISE PROVIDED BY CONTRACTOR THIS DRAWING OR SPECIFICATION IS PROPERTY OF TITAN MICROWAVE INC. IT IS ISSUED IN STRICT CONFIDENCE AND SHALL NOT BE REPRODUCED OR USED AS THE BASIS.		