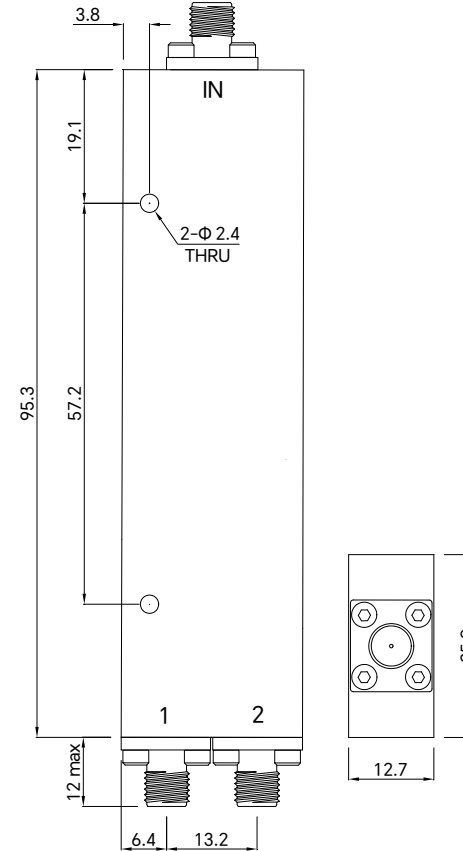


PART NUMBER <b>TMPD2-01005000-204</b>	REV.	DATE	COMMENTS	INITIAL
	A	2020/4/25	ENGINEERING RELEASE	

### Specifications

Frequency Range	1-50GHz
Insertion Loss	1.4dB max@1-18GHz, 2.6dB max@18-40GHz 3.2dB max@40-50GHz (excluding theoretical insertion loss 3.0dB)
VSWR	1.5 max@1-18GHz, 1.6 max@18-40GHz 1.7 max@40-50GHz
Isolation	16dB min@1-18GHz, 18dB min@18-50GHz
Amplitude Balance	± 0.3dB max@1-18GHz, ± 0.4dB max@18-40GHz ± 0.5dB max@40-50GHz
Phase Balance	± 4° max@1-18GHz, ± 5° max@18-40GHz ± 6° max@40-50GHz
Impedance	50 Ohm
Forward Power	20W max
Reverse Power	1W max
Peak Power	1KW max
Connectors	2.4mm-Female
Connector Body	Stainless Steel, Passivated
Operating Temperature	-55°C~+85°C
Storage Temperature	-55°C~+100°C
Dimensions	95.3 × 25.9 × 12.7mm

RoHS Compliant



Drawing not to scale, units:mm



www.titan-microwave.com  
Tel: +86 130 866 58398  
Email: sales@titan-microwave.com  
chris@titan-microwave.com

PART NUMBER <b>TMPD2-01005000-204</b>		DESCRIPTION <b>Power Divider, 2 Way, 1-50GHz 20W, 2.4mm-Female</b>
CAGE CODE	SIGNATURE _____	
EXCEPT AS OTHERWISE PROVIDED BY CONTRACTOR THIS DRAWING OR SPECIFICATION IS PROPERTY OF TITAN MICROWAVE INC. IT IS ISSUED IN STRICT CONFIDENCE AND SHALL NOT BE REPRODUCED OR USED AS THE BASIS.		