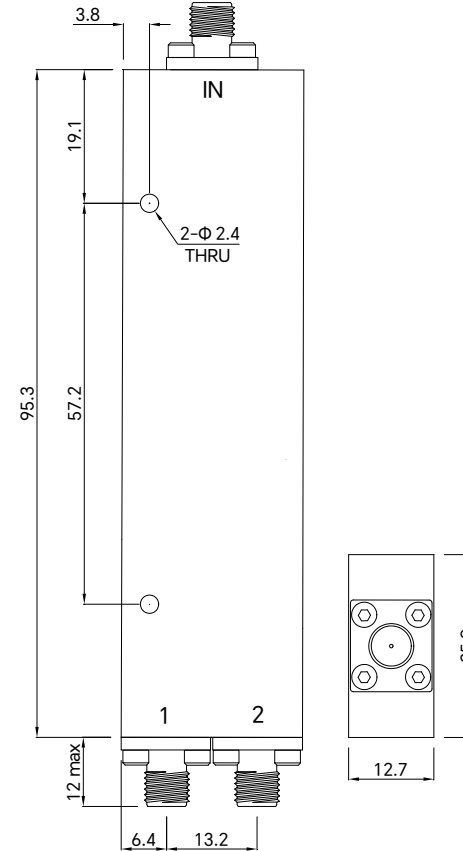


PART NUMBER TMPD2-01004000-20KA	REV.	DATE	COMMENTS	INITIAL
	A	2020/4/25	ENGINEERING RELEASE	

Specifications

Frequency Range	1-40GHz
Insertion Loss	1.4dB max@1-18GHz, 1.8dB max@18-26.5GHz 2.4dB max@26.5-40GHz (excluding theoretical insertion loss 3.0dB)
VSWR	1.4 max@1-18GHz, 1.5 max@18-40GHz
Isolation	18dB min@1-40GHz
Amplitude Balance	± 0.3dB max@1-26.5GHz, ± 0.4dB max@26.5-40GHz
Phase Balance	± 3° max@1-18GHz, ± 4° max@18-26.5GHz ± 5° max@26.5-40GHz
Impedance	50 Ohm
Forward Power	20W max
Reverse Power	2W max
Peak Power	3KW max
Connectors	2.92mm-Female
Connector Body	Stainless Steel, Passivated
Operating Temperature	-55°C~+85°C
Storage Temperature	-55°C~+100°C
Dimensions	95.3 × 25.9 × 12.7mm
Weight	105g max

RoHS Compliant



Drawing not to scale, units:mm



www.titan-microwave.com
Tel: +86 130 866 58398
Email: sales@titan-microwave.com
chris@titan-microwave.com

PART NUMBER TMPD2-01004000-20KA		DESCRIPTION Power Divider, 2 Way, 1-40GHz 20W, 2.92mm-Female
CAGE CODE	SIGNATURE	
EXCEPT AS OTHERWISE PROVIDED BY CONTRACTOR THIS DRAWING OR SPECIFICATION IS PROPERTY OF TITAN MICROWAVE INC. IT IS ISSUED IN STRICT CONFIDENCE AND SHALL NOT BE REPRODUCED OR USED AS THE BASIS.		