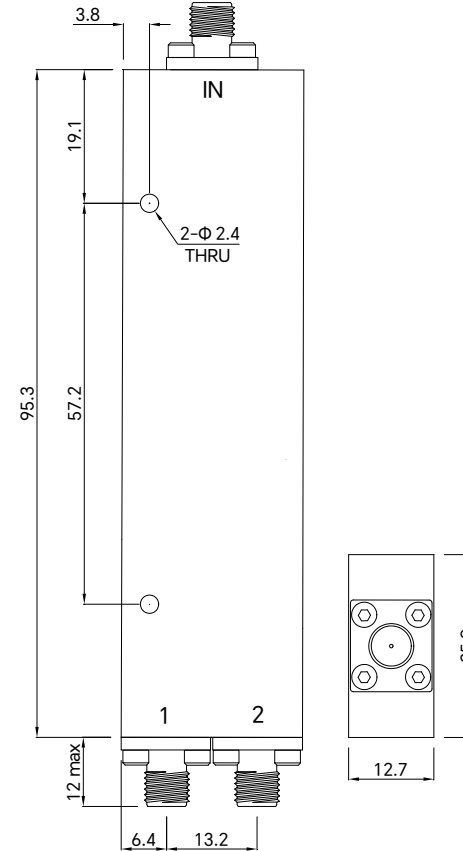


PART NUMBER TMPD2-01002650-30S	REV.	DATE	COMMENTS	INITIAL
	1	2020/4/25	ENGINEERING RELEASE	

Specifications

Frequency Range	1-26.5GHz
Insertion Loss	0.8dB max@1-8GHz, 1.2dB max@8-18GHz 1.6dB max@18-26.5GHz (excluding theoretical insertion loss 3.0dB)
VSWR	1.4 max@1-8GHz, 1.5 max@8-26.5GHz
Isolation	18dB min@1-26.5GHz
Amplitude Balance	± 0.2dB max@1-18GHz, ± 0.3dB max@18-26.5GHz
Phase Balance	± 2° max@1-8GHz, ± 3° max@8-18GHz ± 4° max@18-26.5GHz
Impedance	50 Ohm
Forward Power	30W max
Reverse Power	2W max
Peak Power	3KW max
Connectors	SMA-Female
Connector Body	Stainless Steel, Passivated
Operating Temperature	-55°C~+85°C
Storage Temperature	-55°C~+100°C
Dimensions	95.3 × 25.9 × 12.7mm
Weight	105g max

RoHS Compliant



Drawing not to scale, units:mm



www.titan-microwave.com
Tel: +86 130 866 58398
Email: sales@titan-microwave.com
chris@titan-microwave.com

PART NUMBER TMPD2-01002650-30S		DESCRIPTION Power Divider, 2 Way, 1-26.5GHz 30W, SMA-Female
CAGE CODE	SIGNATURE	
EXCEPT AS OTHERWISE PROVIDED BY CONTRACTOR THIS DRAWING OR SPECIFICATION IS PROPERTY OF TITAN MICROWAVE INC. IT IS ISSUED IN STRICT CONFIDENCE AND SHALL NOT BE REPRODUCED OR USED AS THE BASIS.		