

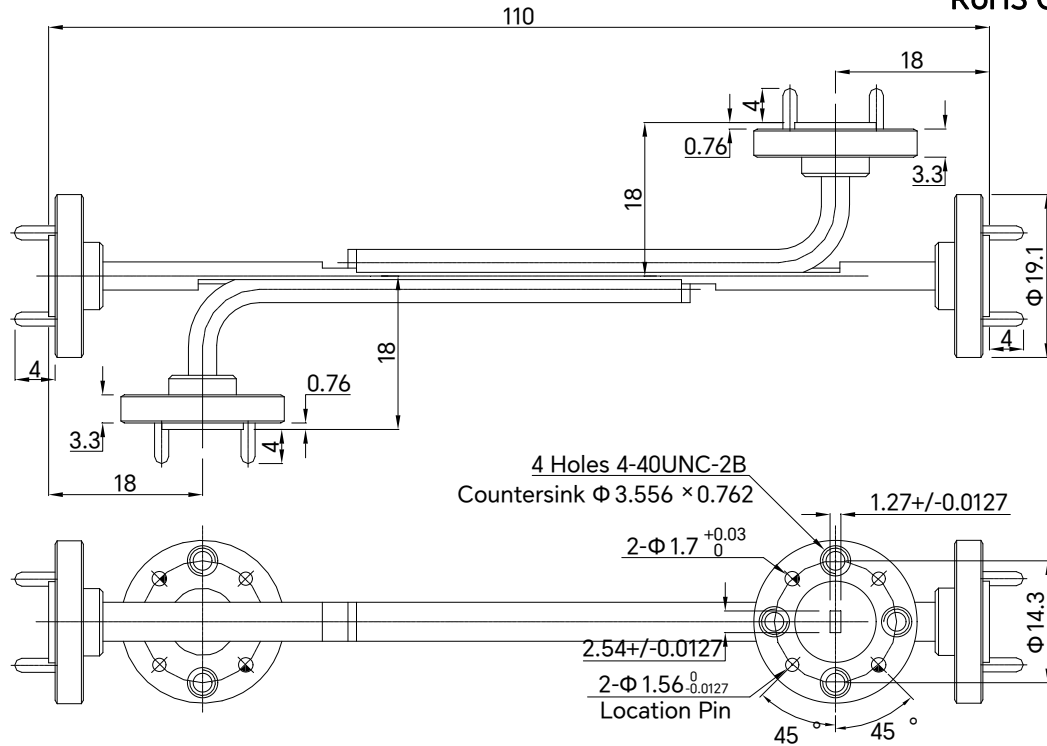
PART NUMBER
TWDDC10D25C20

REV.	DATE	COMMENTS	INITIAL
B	2023/10/13	ENGINEERING RELEASE	

SPECIFICATIONS

Frequency Range	75-110 GHz
Coupling	20 ± 1.2dB, ΔC < ± 1.2dB
Directivity	25dB min
VSWR(Primary Line)	1.15dB max
VSWR(Secondary Line)	1.25dB max
Waveguide Type	WR-10
Flange Type	FUGP900
Material	Copper
Surface Finish	Gold Plated

RoHS Compliant



Drawing not to scale, units:mm[inches]



www.titan-microwave.com
 Tel: +86 130 866 58398
 Email: sales@titan-microwave.com
 chris@titan-microwave.com

PART NUMBER		DESCRIPTION Waveguide Dual-arm Broadwall Directional Coupler, 75-110GHz, WR-10, 20dB
TWDDC10D25C20		
CAGE CODE	SIGNATURE	
EXCEPT AS OTHERWISE PROVIDED BY CONTRACTOR THIS DRAWING OR SPECIFICATION IS PROPERTY OF TITAN MICROWAVE INC. IT IS ISSUED IN STRICT CONFIDENCE AND SHALL NOT BE REPRODUCED OR USED AS THE BASIS.		