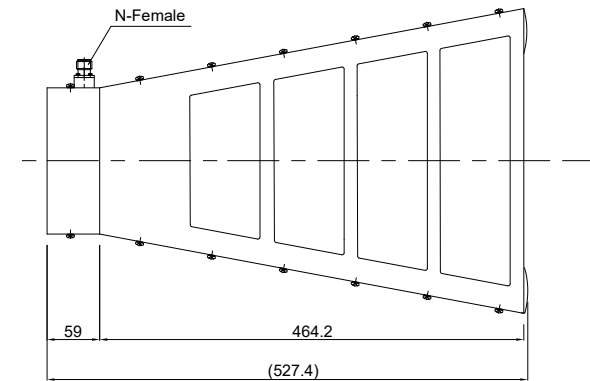
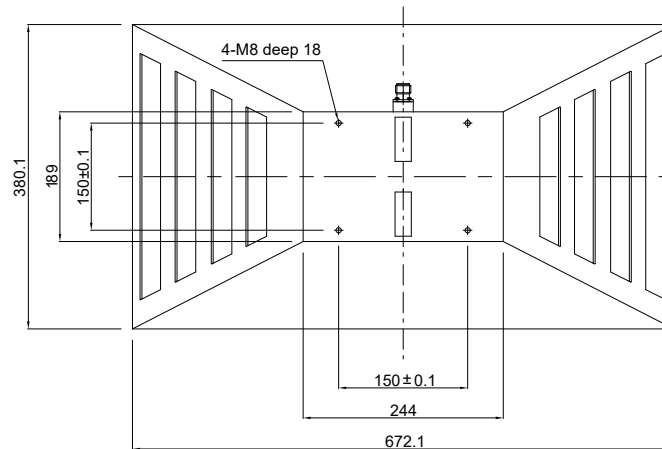


PART NUMBER
TMDRHA-00400600-N

REV.	DATE	COMMENTS	INITIAL
1	2023/8/30	ENGINEERING RELEASE	

RoHS Compliant



SPECIFICATIONS

Frequency Range	0.4~6 GHz
VSWR	3:1 max
Gain	12.93dB typ
Beamwidth	E Plane: 10.95°~66.37° H Plane: 30.85°~63.08°
Connector	N-Female
Material	Aluminum
Surface Finish	Anti-corrosive Gray Painted
Storage Temperature	-10°C~+40°C
Relative Humidity	80% max

Drawing not to scale, units:mm



www.titan-microwave.com
Tel: +86 130 866 58398
Email: sales@titan-microwave.com
chris@titan-microwave.com

PART NUMBER		DESCRIPTION
TMDRHA-00400600-N		
CAGE CODE	SIGNATURE	

EXCEPT AS OTHERWISE PROVIDED BY CONTRACTOR THIS DRAWING OR SPECIFICATION IS PROPERTY OF TITAN MICROWAVE INC. IT IS ISSUED IN STRICT CONFIDENCE AND SHALL NOT BE REPRODUCED OR USED AS THE BASIS.		