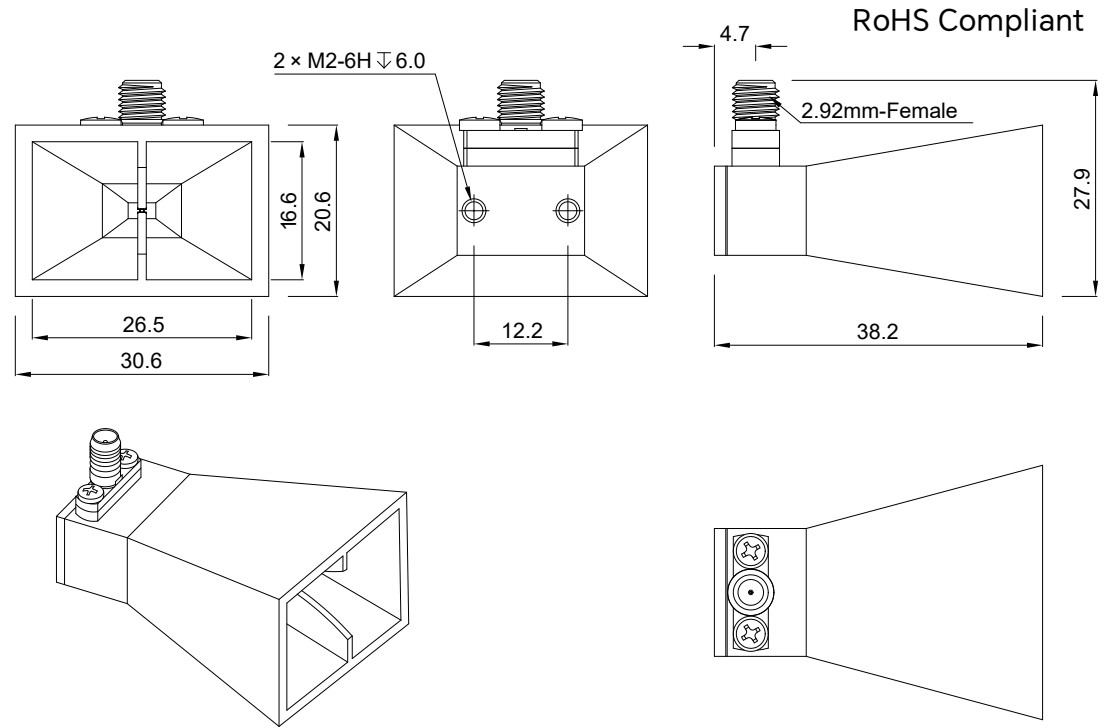


**PART NUMBER**  
**TMBDHA-18004000-13K**

REV.	DATE	COMMENTS	INITIAL
1	2021/8/30	ENGINEERING RELEASE	

**SPECIFICATIONS**

Frequency Range	18~40GHz
VSWR	1.5 typ
Gain	13dBi typ
Polarization	Linear
Cross Polarization Isolation	28dB
Connector	2.92mm-Female
Material	Aluminum
Surface Finish	Black Painted
Dimensions	38.2 × 30.6 × 27.9mm(L × W × H)



Drawing not to scale, units:mm



www.titan-microwave.com  
 Tel: +86 130 866 58398  
 Email: sales@titan-microwave.com  
 chris@titan-microwave.com

PART NUMBER <b>TMBDHA-18004000-13K</b>		DESCRIPTION <b>Broadband Horn Antenna, 18-40GHz, 13dB 2.92mm-Female</b>
CAGE CODE	SIGNATURE	
EXCEPT AS OTHERWISE PROVIDED BY CONTRACTOR THIS DRAWING OR SPECIFICATION IS PROPERTY OF TITAN MICROWAVE INC. IT IS ISSUED IN STRICT CONFIDENCE AND SHALL NOT BE REPRODUCED OR USED AS THE BASIS.		