

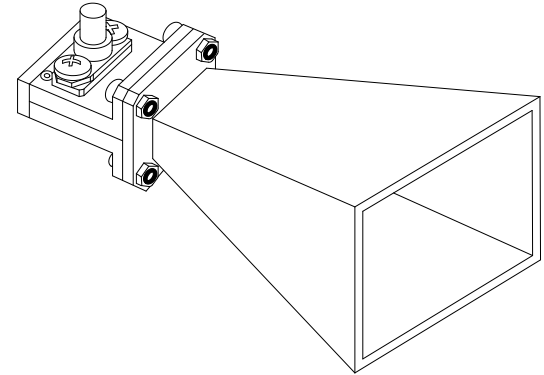
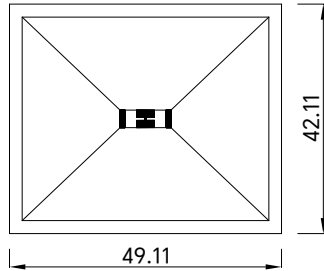
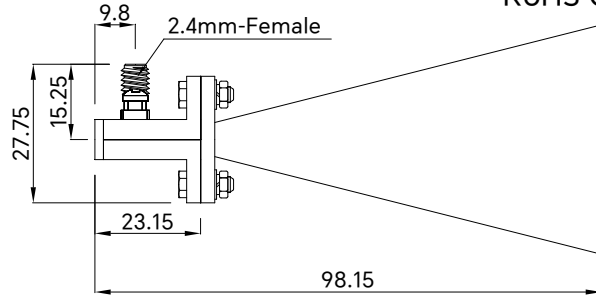
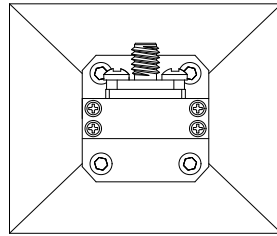
PART NUMBER
TMBDHA-18005000-204

REV.	DATE	COMMENTS	INITIAL
1	2021/8/30	ENGINEERING RELEASE	

SPECIFICATIONS

Frequency Range 18~50GHz
 VSWR 1.5:1 typ
 Gain 20dBi typ
 Polarization Linear
 Connector 2.4mm-Female
 Material Aluminum
 Surface Finish Black Painted
 Dimensions 49.11 × 42.11 × 98.15mm

RoHS Compliant



Drawing not to scale, units:mm



www.titan-microwave.com
 Tel: +86 130 866 58398
 Email: sales@titan-microwave.com
 chris@titan-microwave.com

PART NUMBER TMBDHA-18005000-204		DESCRIPTION Broadband Horn Antenna, 18-50GHz, 20dB 2.4mm-Female
CAGE CODE	SIGNATURE _____	
EXCEPT AS OTHERWISE PROVIDED BY CONTRACTOR THIS DRAWING OR SPECIFICATION IS PROPERTY OF TITAN MICROWAVE INC. IT IS ISSUED IN STRICT CONFIDENCE AND SHALL NOT BE REPRODUCED OR USED AS THE BASIS.		