

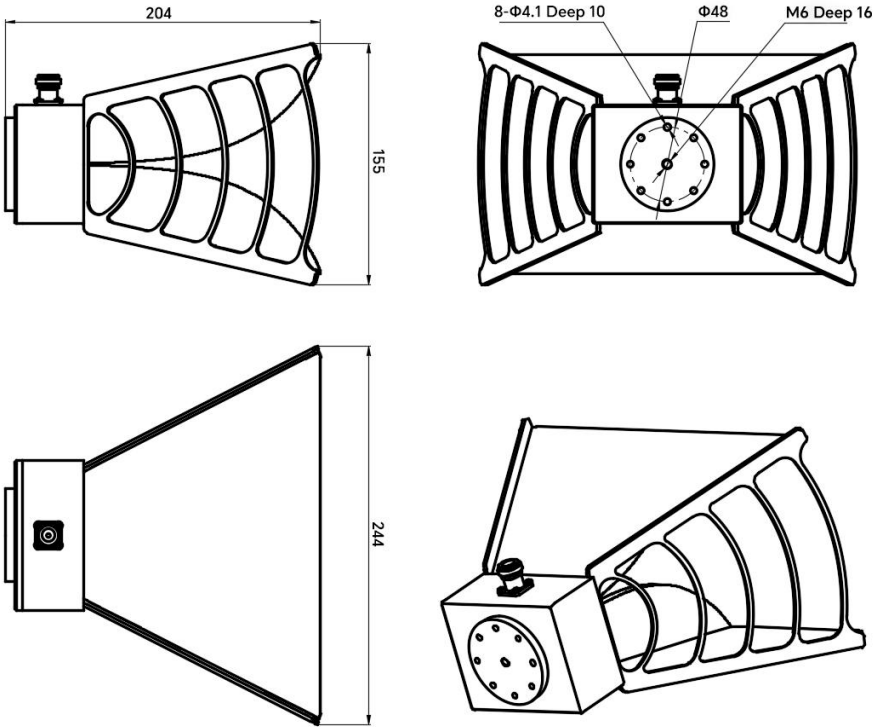
PART NUMBER
TMBDHA-01001800-9N

REV.	DATE	COMMENTS	INITIAL
1	2021/8/30	ENGINEERING RELEASE	

SPECIFICATIONS

Frequency Range	1~18GHz
VSWR	2.0:1 typ
Gain	9dBi typ
Polarization	Linear
Power Rating	50W
Connector	N-Female
Material	Aluminum
Surface Finish	Gray Painted
Dimensions	204 × 244 × 155mm
Operating Temperature	-25°C~+75°C
Storage Temperature	-45°C~+85°C
Weight	1.6kg

RoHS Compliant



Drawing not to scale, units:mm



www.titan-microwave.com
Tel: +86 130 866 58398
Email: sales@titan-microwave.com
chris@titan-microwave.com

PART NUMBER TMBDHA-01001800-9N		DESCRIPTION Broadband Horn Antenna, 1-18GHz, Gain 9dBi N-Female
CAGE CODE	SIGNATURE _____	
EXCEPT AS OTHERWISE PROVIDED BY CONTRACTOR THIS DRAWING OR SPECIFICATION IS PROPERTY OF TITAN MICROWAVE INC. IT IS ISSUED IN STRICT CONFIDENCE AND SHALL NOT BE REPRODUCED OR USED AS THE BASIS.		