

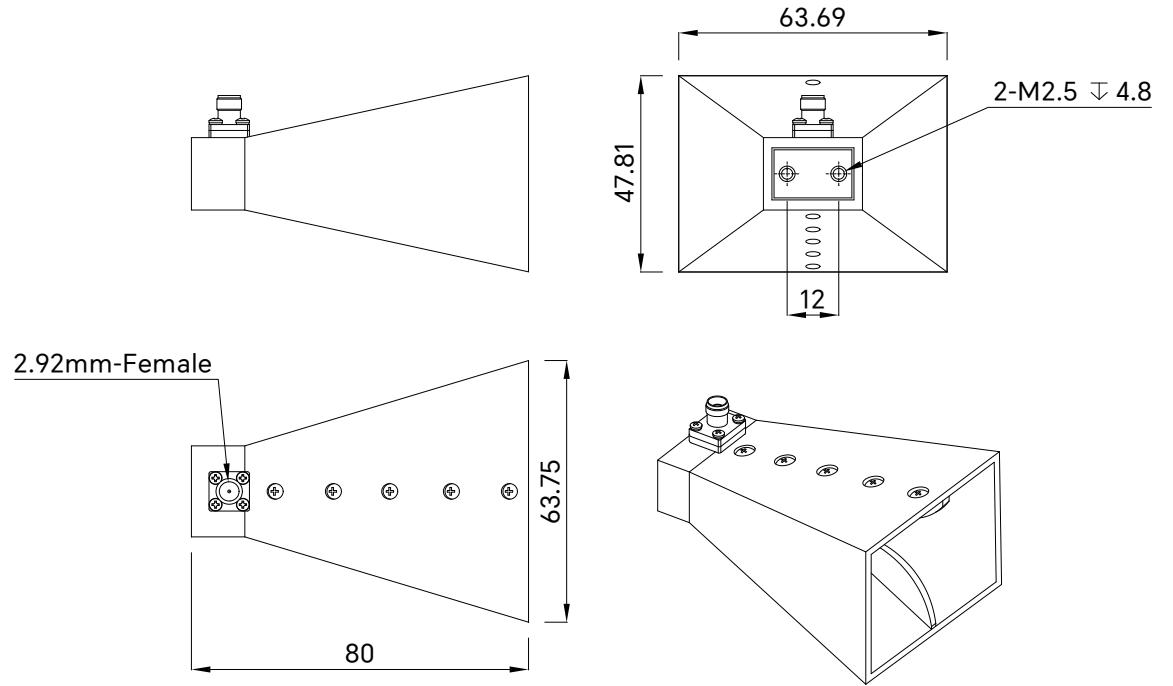
PART NUMBER
TMBDHA-18004000-15K

REV.	DATE	COMMENTS	INITIAL
1	2021/8/30	ENGINEERING RELEASE	

SPECIFICATIONS

Frequency Range	18~40GHz
VSWR	1.5 typ
Gain	15dBi typ
Polarization	Linear
Connector	2.92mm-Female
Material	Aluminum
Surface Finish	Black Painted
Dimensions	80 × 63.69 × 47.81mm
Weight	71g

RoHS Compliant



Drawing not to scale, units:mm



www.titan-microwave.com
 Tel: +86 130 866 58398
 Email: sales@titan-microwave.com
 chris@titan-microwave.com

PART NUMBER TMBDHA-18004000-15K		DESCRIPTION Broadband Horn Antenna, 18-40GHz, 15dB 2.92mm-Female
CAGE CODE	SIGNATURE	
EXCEPT AS OTHERWISE PROVIDED BY CONTRACTOR THIS DRAWING OR SPECIFICATION IS PROPERTY OF TITAN MICROWAVE INC. IT IS ISSUED IN STRICT CONFIDENCE AND SHALL NOT BE REPRODUCED OR USED AS THE BASIS.		