

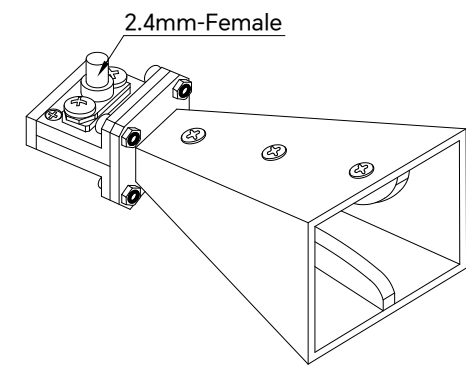
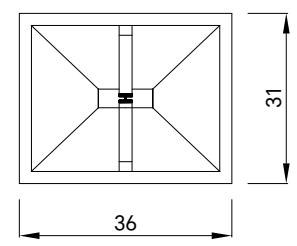
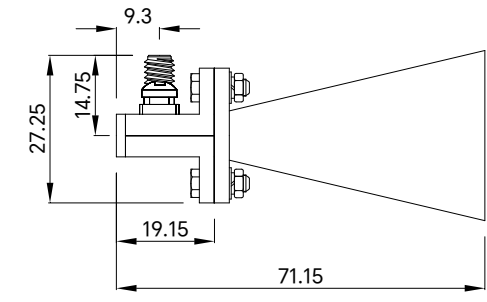
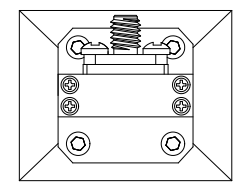
PART NUMBER
TMBDHA-18005000-154

REV.	DATE	COMMENTS	INITIAL
1	2021/8/30	ENGINEERING RELEASE	

RoHS Compliant

SPECIFICATIONS

Frequency Range 18~50GHz
 VSWR 1.5:1 typ
 Gain 15dBi typ
 Polarization Linear
 Connector 2.4mm-Female
 Material Aluminum
 Surface Finish Black Painted
 Dimensions 36 × 31 × 71.15mm



Drawing not to scale, units:mm



www.titan-microwave.com
 Tel: +86 130 866 58398
 Email: sales@titan-microwave.com
 chris@titan-microwave.com

PART NUMBER TMBDHA-18005000-154		DESCRIPTION Broadband Horn Antenna, Linear, 18-50GHz 15dB, 2.4mm-Female
CAGE CODE	SIGNATURE _____	
EXCEPT AS OTHERWISE PROVIDED BY CONTRACTOR THIS DRAWING OR SPECIFICATION IS PROPERTY OF TITAN MICROWAVE INC. IT IS ISSUED IN STRICT CONFIDENCE AND SHALL NOT BE REPRODUCED OR USED AS THE BASIS.		