

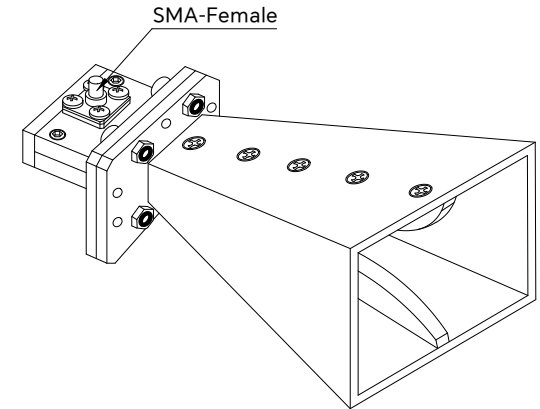
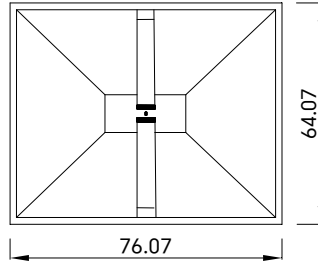
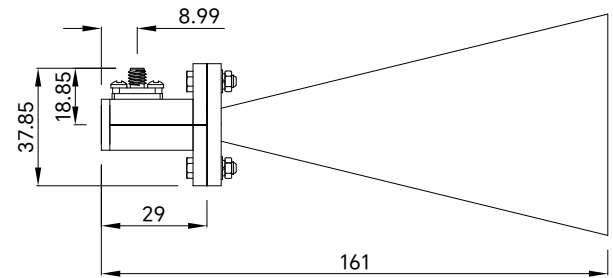
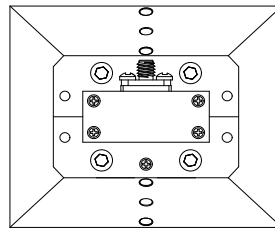
**PART NUMBER**  
**TMBDHA-06001800-15S**

REV.	DATE	COMMENTS	INITIAL
1	2021/8/30	ENGINEERING RELEASE	

**SPECIFICATIONS**

Frequency Range ..... 6~18GHz  
 VSWR ..... 1.5:1 typ  
 Gain ..... 15dBi typ  
 Polarization ..... Linear  
 Connector ..... SMA-Female  
 Material ..... Aluminum  
 Surface Finish ..... Black Painted  
 Dimensions ..... 76.07 × 64.07 × 161mm  
 Weight ..... 1.5 kg

**RoHS Compliant**



Drawing not to scale, units:mm



www.titan-microwave.com  
 Tel: +86 130 866 58398  
 Email: sales@titan-microwave.com  
 chris@titan-microwave.com

<b>PART NUMBER</b> <b>TMBDHA-06001800-15S</b>		<b>DESCRIPTION</b> <b>Broadband Horn Antenna, Linear, 6-18GHz</b> <b>15dB, SMA-Female</b>
<b>CAGE CODE</b>	<b>SIGNATURE</b> _____	
EXCEPT AS OTHERWISE PROVIDED BY CONTRACTOR THIS DRAWING OR SPECIFICATION IS PROPERTY OF TITAN MICROWAVE INC. IT IS ISSUED IN STRICT CONFIDENCE AND SHALL NOT BE REPRODUCED OR USED AS THE BASIS.		