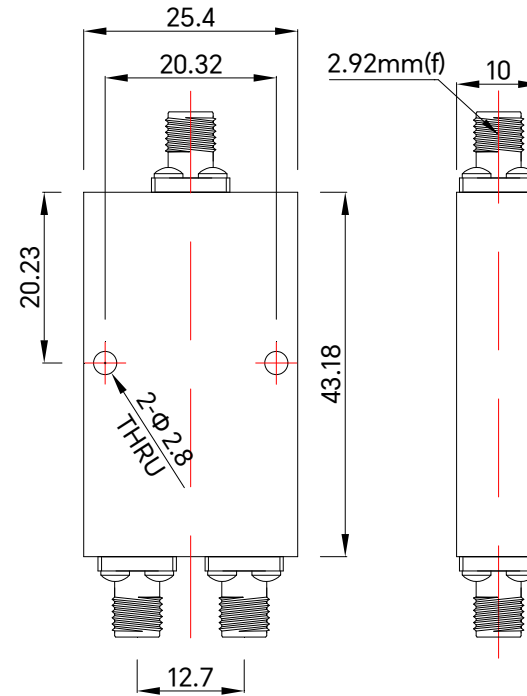


PART NUMBER TMPD2-02003300-10K	REV.	DATE	COMMENTS	INITIAL
	A	2020/4/25	ENGINEERING RELEASE	

Specifications

Frequency Range 2-33GHz
 Insertion Loss 1.5dB max
 (excluding theoretical insertion loss 3.0dB)
 VSWR(input) 1.5:1 max
 VSWR(output) 1.5:1 max
 Isolation 17dB min
 Amplitude Balance ± 0.4dB max
 Phase Balance ± 4° max
 Impedance 50 Ohms
 Forward Power 10W max
 Reverse Power 1W max
 Connectors 2.92mm-Female
 Connector Body Stainless Steel, Passivated
 Operating Temperature -55°C~+85°C
 Storage Temperature -55°C~+100°C
 Dimensions 43.18 × 25.4 × 10mm
 Surface Finish Black/Blue/Gray Painted

RoHS Compliant



Drawing not to scale, units:mm



www.titan-microwave.com
 Tel: +86 130 866 58398
 Email: sales@titan-microwave.com
 chris@titan-microwave.com

PART NUMBER TMPD2-02003300-10K		DESCRIPTION Power Divider, 2 Way, 2-33GHz 10W, 2.92mm-Female
CAGE CODE	SIGNATURE _____	
EXCEPT AS OTHERWISE PROVIDED BY CONTRACTOR THIS DRAWING OR SPECIFICATION IS PROPERTY OF TITAN MICROWAVE INC. IT IS ISSUED IN STRICT CONFIDENCE AND SHALL NOT BE REPRODUCED OR USED AS THE BASIS.		