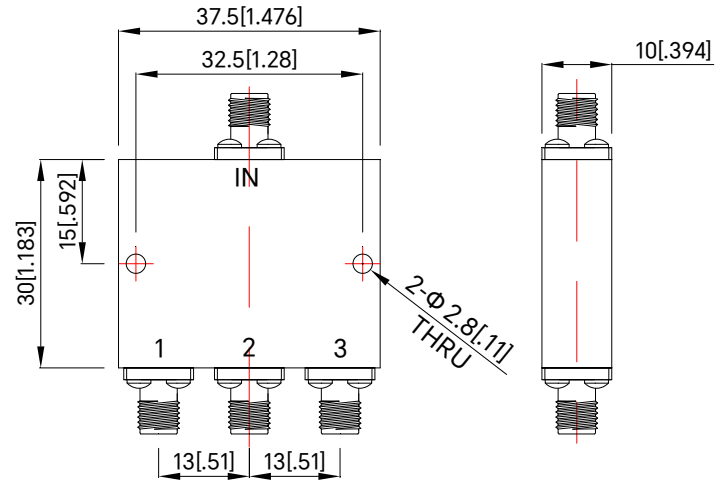


PART NUMBER <b>TMPD3-09000950-30S</b>	REV.	DATE	COMMENTS	INITIAL
	A	2020/4/25	ENGINEERING RELEASE	

### Specifications

Frequency Range	9.0-9.5GHz
Insertion Loss	0.8dB max (excluding theoretical insertion loss 4.8dB)
VSWR(input)	1.5:1 max
VSWR(output)	1.35:1 max
Isolation	18dB min
Amplitude Balance	± 0.4dB max
Phase Balance	± 5° max
Impedance	50 Ohms
Forward Power	30W max
Reverse Power	1W max
Connectors	SMA-Female
Connector Body	Stainless Steel, Passivated
Operating Temperature	-45°C~+85°C
Storage Temperature	-55°C~+100°C
Dimensions	37.5 × 30 × 10mm
Surface Finish	Black/Blue/Gray Painted

RoHS Compliant



Drawing not to scale, units:mm[inches]



www.titan-microwave.com  
 Tel: +86 130 866 58398  
 Email: sales@titan-microwave.com  
 chris@titan-microwave.com

PART NUMBER <b>TMPD3-09000950-30S</b>		DESCRIPTION <b>Power Divider, 3 Way, 9.0-9.5GHz 30W, SMA-Female</b>
CAGE CODE	SIGNATURE	
EXCEPT AS OTHERWISE PROVIDED BY CONTRACTOR THIS DRAWING OR SPECIFICATION IS PROPERTY OF TITAN MICROWAVE INC. IT IS ISSUED IN STRICT CONFIDENCE AND SHALL NOT BE REPRODUCED OR USED AS THE BASIS.		