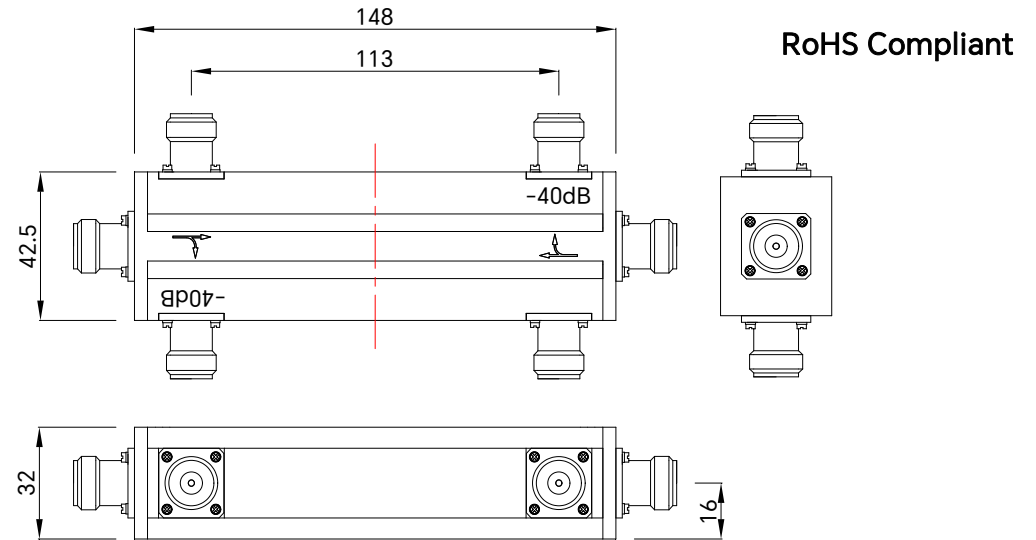


PART NUMBER TDDC-00700600-40N300	REV.	DATE	COMMENTS	INITIAL
	1	2020/10/19	ENGINEERING RELEASE	

SPECIFICATIONS

Frequency Range 700~6000MHz
 Coupling 40±1.0dB Max
 Insertion Loss 0.3dB Max
 Coupling Accuracy ±0.75dB Max
 Directivity 16dB Min
 VSWR(Main) 1.2:1 Max
 VSWR(Secondary) 1.4:1 Max
 Average Power 300W(CW)
 Connectors Type N-Female
 Operating Temperature -55°C~+85°C



Drawing not to scale, units:mm



www.titan-microwave.com
 Tel: +86 130 866 58398
 Email: sales@titan-microwave.com
 chris@titan-microwave.com

PART NUMBER TDDC-00700600-40N300		DESCRIPTION Dual Directional Coupler, 0.7-6GHz Coupling 40dB, 300W, N-Female
CAGE CODE	SIGNATURE <i>Chris Chen</i>	
EXCEPT AS OTHERWISE PROVIDED BY CONTRACTOR THIS DRAWING OR SPECIFICATION IS PROPERTY OF TITAN MICROWAVE INC. IT IS ISSUED IN STRICT CONFIDENCE AND SHALL NOT BE REPRODUCED OR USED AS THE BASIS.		