

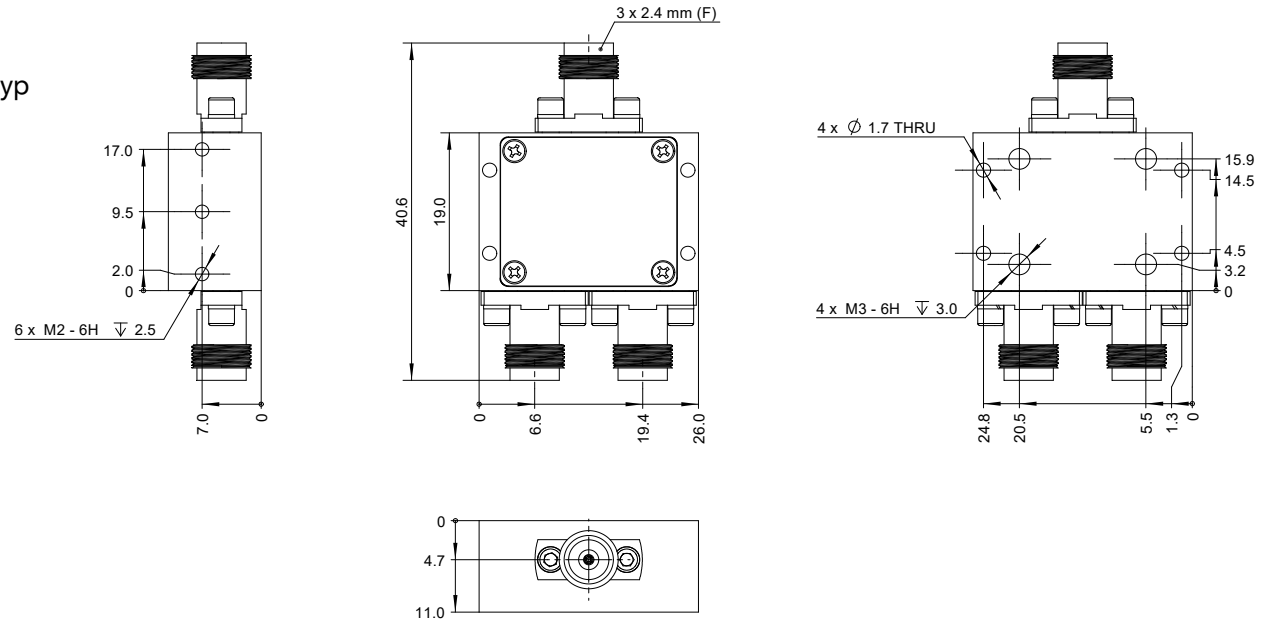
**PART NUMBER**  
**TMPD2-20005000-204**

REV.	DATE	COMMENTS	INITIAL
A	2020/4/25	ENGINEERING RELEASE	

**Specifications@25°C**

- Frequency Range ..... 20-50GHz
- Insertion Loss ..... 4.0dB max, 2.5dB typ  
(excluding theoretical insertion loss 3.0dB)
- Return Loss ..... 15dB
- Isolation ..... 20dB typ
- Amplitude Balance ..... ± 0.4dB max
- Phase Balance ..... ± 5° max
- Impedance ..... 50 Ohms
- Forward Power ..... 20W max
- Reverse Power ..... 2W max
- Connectors ..... 2.4mm-Female
- Operating Temperature ..... -40°C~+85°C
- Storage Temperature ..... -65°C~+125°C
- Weight ..... 18.6g
- Dimensions ..... 19 × 26 × 11mm

RoHS Compliant



Drawing not to scale, units:mm



www.titan-microwave.com  
Tel: +86 130 866 58398  
Email: sales@titan-microwave.com  
chris@titan-microwave.com

PART NUMBER <b>TMPD2-20005000-204</b>		DESCRIPTION <b>Power Divider, 2 Way, 20-50GHz 20W, 2.4mm-Female</b>
CAGE CODE	SIGNATURE	
<p>EXCEPT AS OTHERWISE PROVIDED BY CONTRACTOR THIS DRAWING OR SPECIFICATION IS PROPERTY OF TITAN MICROWAVE INC. IT IS ISSUED IN STRICT CONFIDENCE AND SHALL NOT BE REPRODUCED OR USED AS THE BASIS.</p>		