

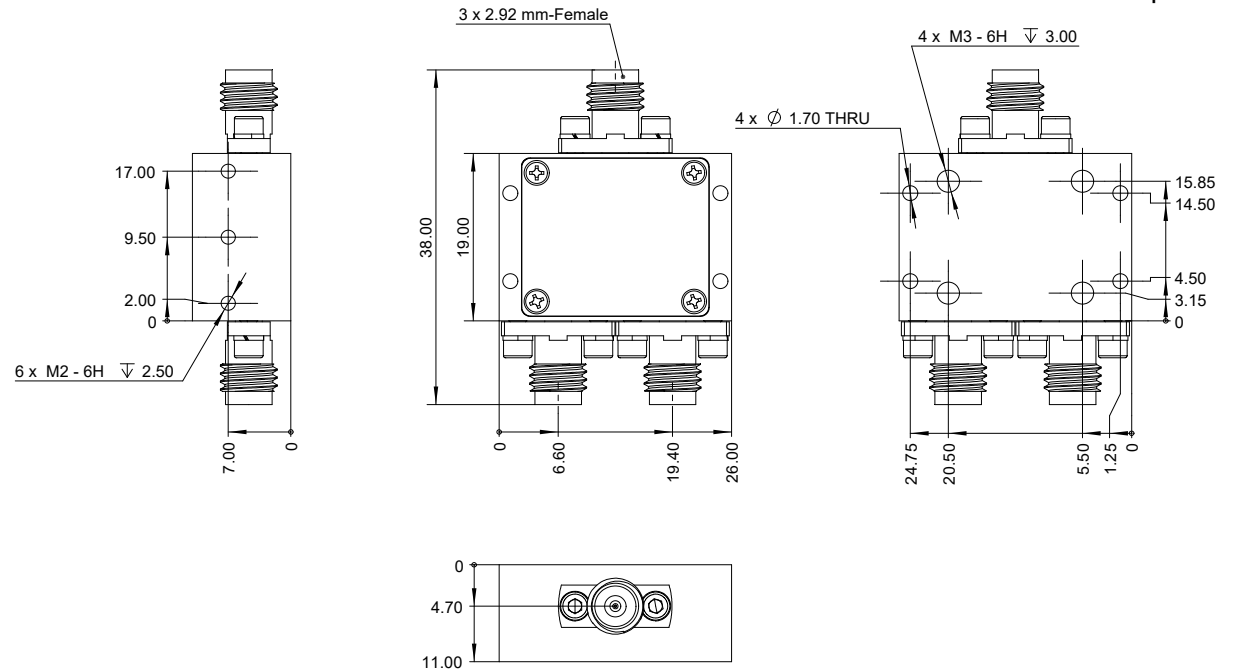
PART NUMBER
TMPD2-18004000-20KC

REV.	DATE	COMMENTS	INITIAL
A	2020/4/25	ENGINEERING RELEASE	

Specifications@25°C

- Frequency Range 18-40GHz
- Insertion Loss 4.0dB typ
(excluding theoretical insertion loss 3.0dB)
- Return Loss 20dB
- Isolation 22dB typ
- Amplitude Balance ± 0.2dB max
- Phase Balance ± 6° max
- Impedance 50 Ohms
- Forward Power 20W max
- Reverse Power 8W max
- Connectors 2.92mm-Female
- Operating Temperature -40°C~+85°C
- Storage Temperature -65°C~+125°C
- Weight 18.6g
- Dimensions 19 × 26 × 11mm

RoHS Compliant



Drawing not to scale, units:mm



www.titan-microwave.com
Tel: +86 130 866 58398
Email: sales@titan-microwave.com
chris@titan-microwave.com

PART NUMBER TMPD2-18004000-20KC		DESCRIPTION Power Divider, 2 Way, 18-40GHz 20W, 2.92mm-Female
CAGE CODE	SIGNATURE _____	
EXCEPT AS OTHERWISE PROVIDED BY CONTRACTOR THIS DRAWING OR SPECIFICATION IS PROPERTY OF TITAN MICROWAVE INC. IT IS ISSUED IN STRICT CONFIDENCE AND SHALL NOT BE REPRODUCED OR USED AS THE BASIS.		