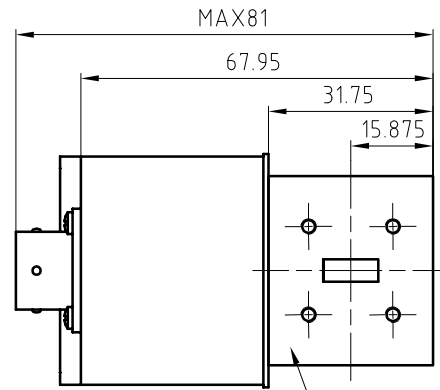
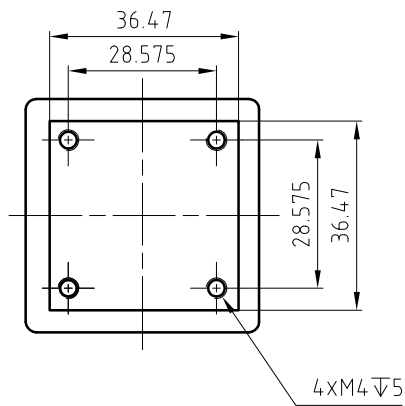
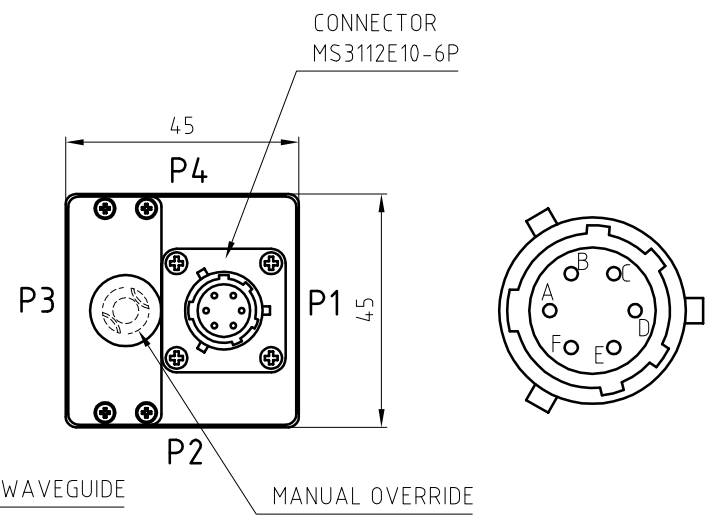


1 2 3 4 5 6 7 8

A  
B  
C  
D  
E  
F

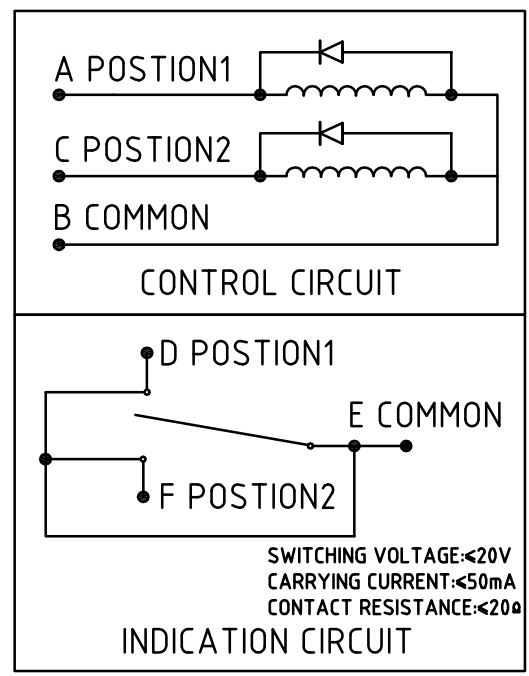


FLANGE: FBP220  
BJ220 (WR42) RECTANGULAR WAVEGUIDE

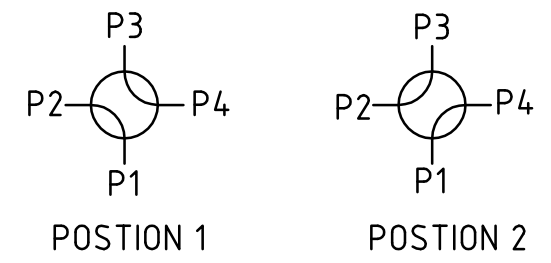


### SPECIFICATION

- FREQ RANGE: 18.0GHz--26.5GHz
- VSWR:  $\leq 1.10$
- INSERTION LOSS:  $\leq 0.10$ dB
- ISOLATION:  $\geq 60$ dB
- SWITCHING TIME:  $\leq 50$  mS
- VOLTAGE: 28VDC, DURATION  $\geq 50$  mS
- CURRENT:  $\leq 600$ mA @ (28VDC, 25°C)
- WORKING TEMPERATURE: -40°C--70°C
- LIFE: 100,000 CYCLES
- CONTROL MODE: LATCHING, MANUAL/ELECTRIC



SWITCHING VOLTAGE:  $\leq 20$ V  
CARRYING CURRENT:  $\leq 50$ mA  
CONTACT RESISTANCE:  $\leq 20$ Ω



EXCITATION AND SWITCH STATUS	
A VDC, B GND;	D-E CONNECTED; POSTION 1
C VDC, B GND;	F-E CONNECTED; POSTION 2



## BJ220(WR42) WAVEGUIDE SWITCH

1 2 3 4 5 6 7 8