

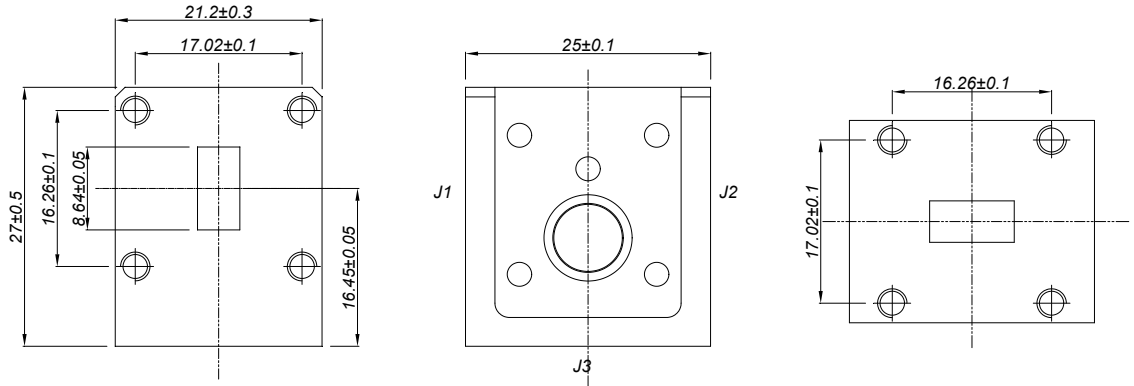
PART NUMBER
TMWC34-22003300-P25W

REV.	DATE	COMMENTS	INITIAL
1	2020/9/21	ENGINEERING RELEASE	

Specifications

Frequency Range 22-33GHz
 Insertion Loss 0.45dB typ, 0.5dB max
 VSWR 1.25:1 typ, 1.3:1 max
 Isolation 18dB min, 19dB typ
 Forward Power 25W
 Impedance 50 Ohms
 Direction Clockwise
 Waveguide Type WR-34
 Flange Type UG1530
 Material Aluminum Alloy
 Operating Temperature -20°C~+60°C
 Storage Temperature -45°C~+85°C
 Weight 30g

RoHS Compliant



Drawing not to scale, units:mm



www.titan-microwave.com
 Tel: +86 130 866 58398
 Email: sales@titan-microwave.com
 chris@titan-microwave.com

PART NUMBER TMWC34-22003300-P25W		DESCRIPTION Waveguide Circulator, 22-33GHz WR-34, 25W
CAGE CODE	SIGNATURE <i>Chris Chen</i>	
EXCEPT AS OTHERWISE PROVIDED BY CONTRACTOR THIS DRAWING OR SPECIFICATION IS PROPERTY OF TITAN MICROWAVE INC. IT IS ISSUED IN STRICT CONFIDENCE AND SHALL NOT BE REPRODUCED OR USED AS THE BASIS.		