

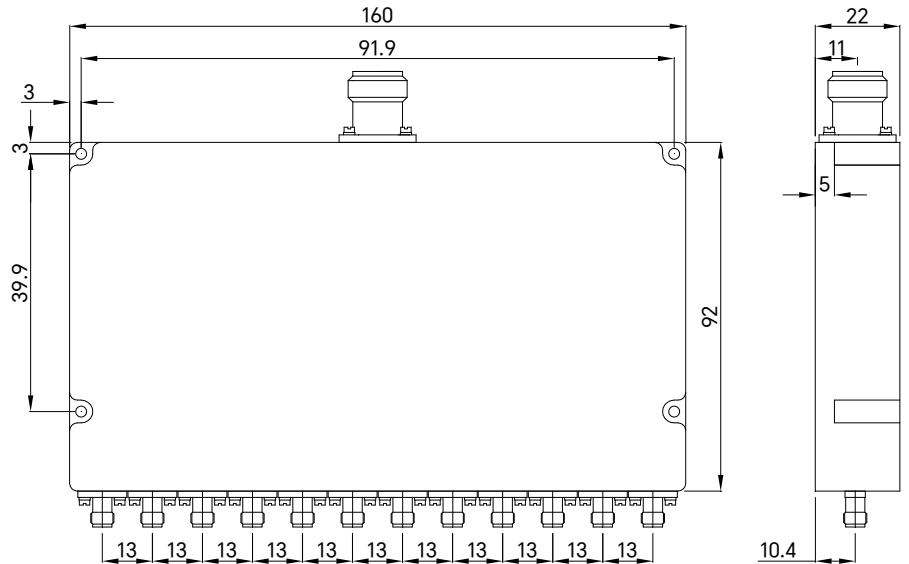
PART NUMBER
TMPD12-02000400-NS200

REV.	DATE	COMMENTS	INITIAL
A	2020/4/25	ENGINEERING RELEASE	

Specifications

- Frequency Range 2-4GHz
- Insertion Loss 1.0dB max
- VSWR(input) 1.6:1 max
- VSWR(output) 1.4:1 max
- Isolation 17dB min
- Amplitude Balance ± 0.3dB max
- Phase Balance ± 5° max
- Impedance 50 Ohms
- Power Rating 200W
- Connectors N-Female & SMA-Female
- Dimensions 160 × 92 × 22mm
- Surface Finish Silver Plated
- Operating Temperature -55°C~+85°C

RoHS Compliant



Drawing not to scale, units:mm



www.titan-microwave.com
 Tel: +86 130 866 58398
 Email: sales@titan-microwave.com
 chris@titan-microwave.com

PART NUMBER		DESCRIPTION
TMPD12-02000400-NS200		
CAGE CODE	SIGNATURE	

EXCEPT AS OTHERWISE PROVIDED BY CONTRACTOR THIS DRAWING OR SPECIFICATION IS PROPERTY OF TITAN MICROWAVE INC. IT IS ISSUED IN STRICT CONFIDENCE AND SHALL NOT BE REPRODUCED OR USED AS THE BASIS.		