

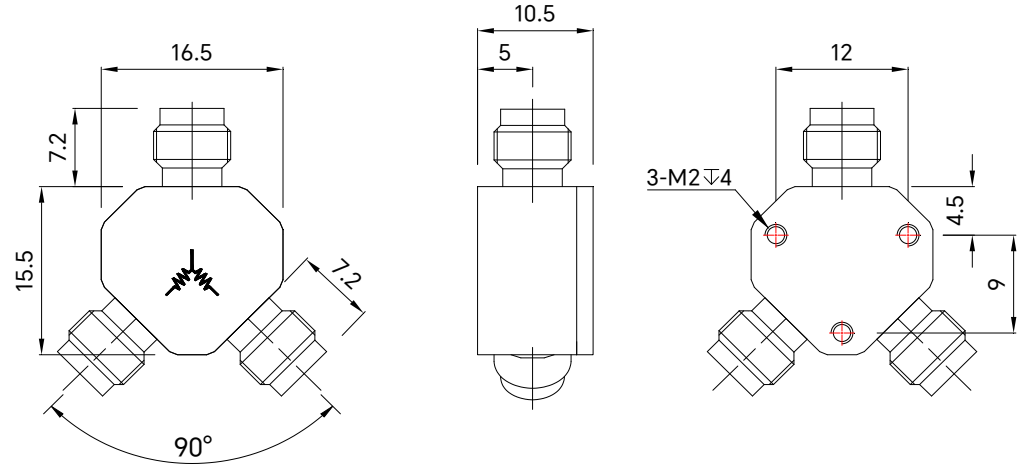
PART NUMBER
TMPD2RS-0067-P5V

REV.	DATE	COMMENTS	INITIAL
A	2020/4/25	ENGINEERING RELEASE	

SPECIFICATIONS

- Frequency Range DC~67GHz
- Insertion Loss 7.8dB max
- Return Loss 10dB min
- Isolation 8dB min
- Amplitude Balance ± 0.8dB
- Phase Balance ± 7°
- Impedance 50 Ohms
- Power Rating 0.5W max
- Connectors 1.85mm-Female
- Operating Temperature -20°C~+55°C
- Power Rating -40°C~+80°C
- Relative Humidity 5%~95%
- Dimensions 15.5 × 16.5 × 10.5mm

RoHS Compliant



Drawing not to scale, units:mm



www.titan-microwave.com
 Tel: +86 130 866 58398
 Email: sales@titan-microwave.com
 chris@titan-microwave.com

PART NUMBER		DESCRIPTION Resistive Power Divider, 2 Way, DC~67GHz 0.5W, 1.85mm-Female
TMPD2RS-0067-P5V		
CAGE CODE	SIGNATURE	
EXCEPT AS OTHERWISE PROVIDED BY CONTRACTOR THIS DRAWING OR SPECIFICATION IS PROPERTY OF TITAN MICROWAVE INC. IT IS ISSUED IN STRICT CONFIDENCE AND SHALL NOT BE REPRODUCED OR USED AS THE BASIS.		