

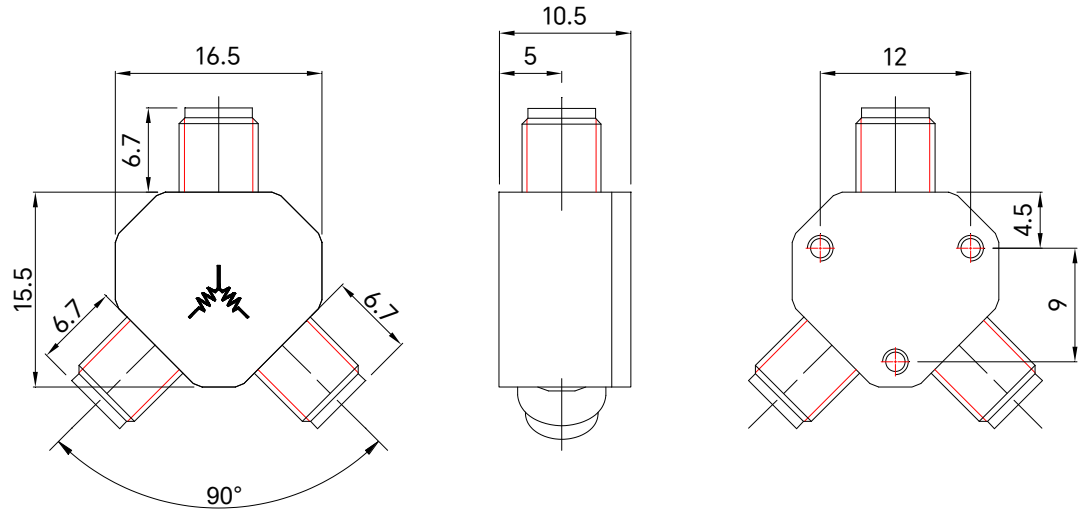
PART NUMBER
TMPD2RS-0027-1Z

REV.	DATE	COMMENTS	INITIAL
A	2020/4/25	ENGINEERING RELEASE	

SPECIFICATIONS

Frequency Range DC~26.5GHz
 Insertion Loss 7.5dB max
 Return Loss 17dB min
 Isolation 10dB min
 Amplitude Balance ± 0.25dB
 Phase Balance ± 3°
 Impedance 50 Ohms
 Power Rating 1W max
 Connectors 3.5mm-Female
 Operating Temperature -20°C~+55°C
 Storage Temperature -40°C~+80°C
 Relative Humidity 5%~95%
 Dimensions 15.5 × 16.5 × 10.5mm

RoHS Compliant



Drawing not to scale, units:mm



www.titan-microwave.com
 Tel: +86 130 866 58398
 Email: sales@titan-microwave.com
 chris@titan-microwave.com

PART NUMBER TMPD2RS-0027-1Z		DESCRIPTION Resistive Power Divider, 2 Way, DC~26.5GHz 1W, 3.5mm-Female
CAGE CODE	SIGNATURE _____	
EXCEPT AS OTHERWISE PROVIDED BY CONTRACTOR THIS DRAWING OR SPECIFICATION IS PROPERTY OF TITAN MICROWAVE INC. IT IS ISSUED IN STRICT CONFIDENCE AND SHALL NOT BE REPRODUCED OR USED AS THE BASIS.		