

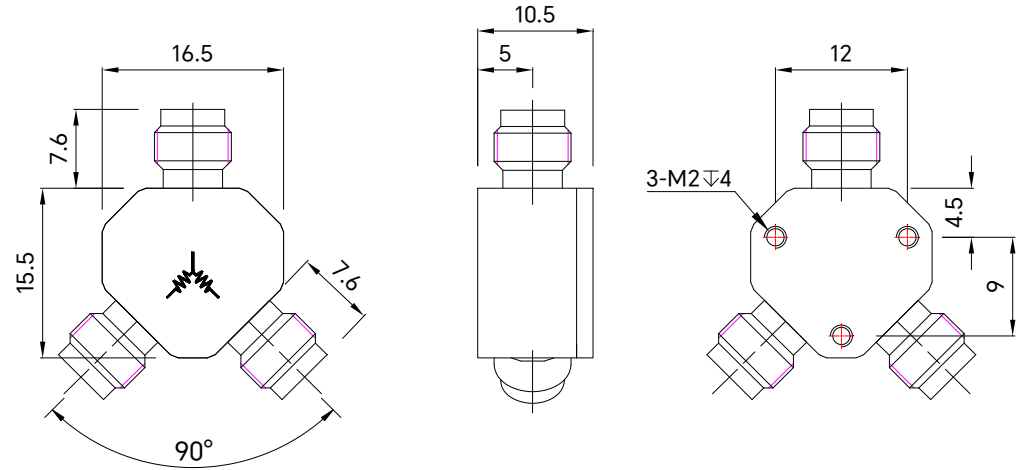
PART NUMBER
TMPD2RS-0050-P54

REV.	DATE	COMMENTS	INITIAL
A	2020/4/25	ENGINEERING RELEASE	

SPECIFICATIONS

Frequency Range	DC~50GHz
Insertion Loss	7.7dB max
Return Loss	10dB min
Isolation	9dB min
Amplitude Balance	± 0.5dB
Phase Balance	± 5°
Impedance	50 Ohms
Power Rating	0.5W max
Connectors	2.4mm-Female
Operating Temperature	-20°C~+55°C
Storage Temperature	-40°C~+80°C
Relative Humidity	5%~95%
Dimensions	15.5 × 16.5 × 10.5mm

RoHS Compliant



Drawing not to scale, units:mm



www.titan-microwave.com
 Tel: +86 130 866 58398
 Email: sales@titan-microwave.com
 chris@titan-microwave.com

PART NUMBER		DESCRIPTION Resistive Power Divider, 2 Way, DC~50GHz 0.5W, 2.4mm-Female
TMPD2RS-0050-P54		
CAGE CODE	SIGNATURE	
EXCEPT AS OTHERWISE PROVIDED BY CONTRACTOR THIS DRAWING OR SPECIFICATION IS PROPERTY OF TITAN MICROWAVE INC. IT IS ISSUED IN STRICT CONFIDENCE AND SHALL NOT BE REPRODUCED OR USED AS THE BASIS.		