

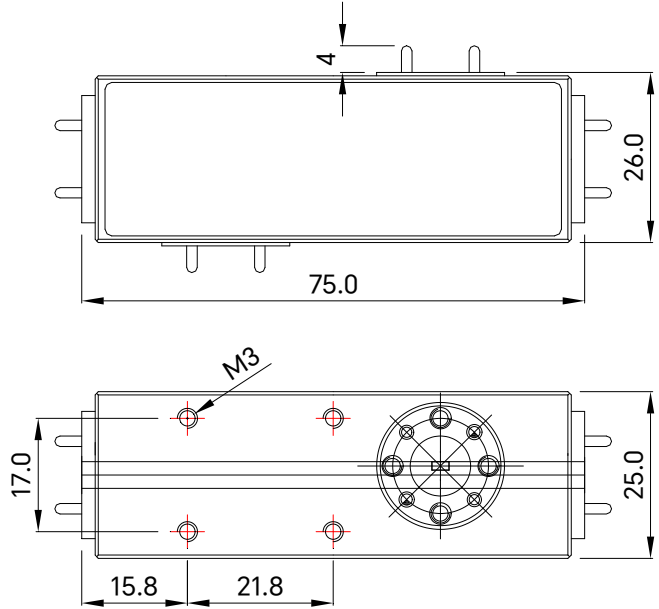
PART NUMBER TWDC10D30-10

REV.	DATE	COMMENTS	INITIAL
1	2021/4/25	ENGINEERING RELEASE	

SPECIFICATIONS(@23±3°C)

Frequency Range	75-110GHz
Coupling	10 ± 1dB
Frequency Sensitivity	1.0dB max
Directivity	30dB min
Return Loss	28dB min
Insertion Loss	2.0dB max
Impedance	50 Ohms
Power Rating	10W max
Interface	WR-10
Operating Temperature	-20°C~+70°C
Storage Temperature	-55°C~+85°C
Dimensions	75 × 26 × 25mm

RoHS Compliant



Drawing not to scale, units:mm



www.titan-microwave.com
 Tel: +86 185 8328 2993
 Email: sales@titan-microwave.com
 chris@titan-microwave.com

PART NUMBER TWDC10D30-10		DESCRIPTION Waveguide Directional Coupler, 75-110GHz Coupling 10 ± 1dB, 10W, WR-10
CAGE CODE	SIGNATURE _____	
EXCEPT AS OTHERWISE PROVIDED BY CONTRACTOR THIS DRAWING OR SPECIFICATION IS PROPERTY OF TITAN MICROWAVE INC. IT IS ISSUED IN STRICT CONFIDENCE AND SHALL NOT BE REPRODUCED OR USED AS THE BASIS.		