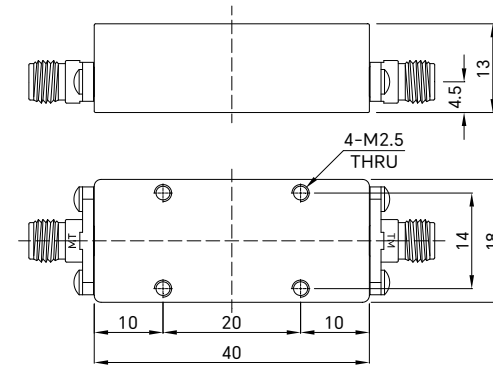


PART NUMBER TBF-02800340-40S	REV.	DATE	COMMENTS	INITIAL
	1	2020/9/8	ENGINEERING RELEASE	

Specifications

3dB Bandwidth 600MHz(2800-3400MHz)
..... [Deviation: $\pm 30\text{MHz}@+20^{\circ}\text{C}\sim+30^{\circ}\text{C}$]
Center Frequency(F_0) 3100MHz
Passband Insertion Loss 2.2dB max@3100MHz
Return Loss 12dB min@2880-3320MHz
Stopband Rejection 40dB min@DC-2400MHz
..... 40dB min@3800-5500MHz
Power Handling 1W max
Impedance 50 Ohms
Operating Temperature $-30^{\circ}\text{C}\sim+70^{\circ}\text{C}$
Connectors SMA-Female(Stainless Steel)
Housing Material Aluminum 6061
Finish Black Painted
Weight 25g

RoHS Compliant



Drawing not to scale, units:mm



www.titan-microwave.com
Tel: +86 130 866 58398
Email: sales@titan-microwave.com
chris@titan-microwave.com

PART NUMBER TBF-02800340-40S		DESCRIPTION LC Band Pass Filter, Passband 2800~3400MHz Stopband Rejection 40dB, 1W, SMA-Female
CAGE CODE	SIGNATURE _____	
EXCEPT AS OTHERWISE PROVIDED BY CONTRACTOR THIS DRAWING OR SPECIFICATION IS PROPERTY OF TITAN MICROWAVE INC. IT IS ISSUED IN STRICT CONFIDENCE AND SHALL NOT BE REPRODUCED OR USED AS THE BASIS.		