

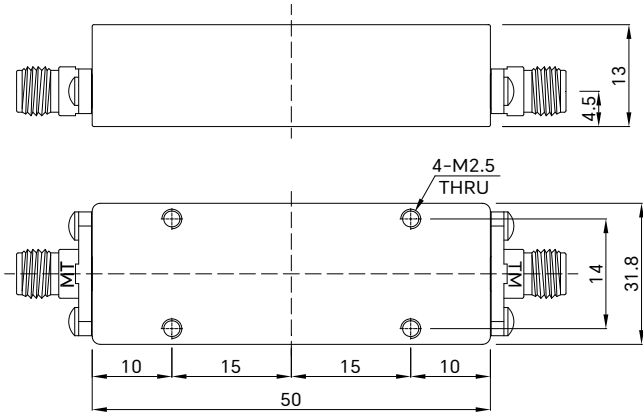
PART NUMBER <b>TBF-00750100-70S</b>
--

REV.	DATE	COMMENTS	INITIAL
1	2020/9/8	ENGINEERING RELEASE	

**Specifications**

RoHS Compliant

- Passband Frequency Range ..... 750-1000MHz
- Center Frequency( $F_0$ ) ..... 875MHz
- Passband Insertion Loss ..... 2.0dB max
- Passband Ripple ..... 1.0dB max
- Passband VSWR ..... 1.5:1 max
- Stopband Rejection ..... 70dB min@DC-600MHz
- ..... 70dB min@1150-2000MHz
- Power Handling ..... 10W max
- Impedance ..... 50 Ohms
- Operating Temperature ..... -30°C~+70°C
- Connectors ..... SMA-Female(Stainless Steel)
- Housing Material ..... Aluminum 6061
- Finish ..... Black Painted
- Weight ..... 30g



Drawing not to scale, units:mm



www.titan-microwave.com  
 Tel: +86 130 866 58398  
 Email: sales@titan-microwave.com  
 chris@titan-microwave.com

PART NUMBER <b>TBF-00750100-70S</b>		DESCRIPTION <b>LC Band Pass Filter, Passband 750~1000MHz Stopband Rejection 70dB, 10W, SMA-Female</b>
CAGE CODE	SIGNATURE	
EXCEPT AS OTHERWISE PROVIDED BY CONTRACTOR THIS DRAWING OR SPECIFICATION IS PROPERTY OF TITAN MICROWAVE INC. IT IS ISSUED IN STRICT CONFIDENCE AND SHALL NOT BE REPRODUCED OR USED AS THE BASIS.		