

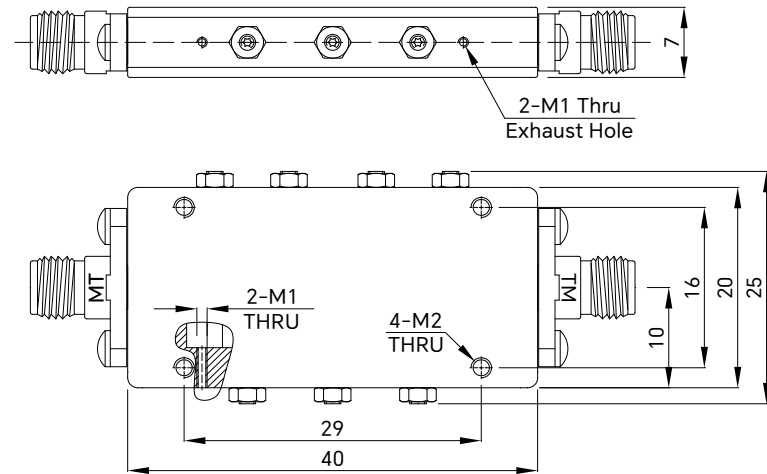
PART NUMBER TBF-05250625-30S
--

REV.	DATE	COMMENTS	INITIAL
1	2020/6/21	ENGINEERING RELEASE	

Specifications

Passband Frequency Range 5250-6250MHz
 Center Frequency(F_0) 5750MHz
 Passband Insertion Loss 0.4dB typ, 0.5dB max@5750MHz
 0.6dB max@5250-6250MHz
 Passband Ripple 0.3dB max
 Passband Return Loss 14dB min
 Passband Group Delay 2.5ns max
 Stopband Rejection 30dB min@DC-4500MHz
 30dB min@7000-10000MHz
 Power Handling 5W max
 Impedance 50 Ohms
 Operating Temperature -30°C~+70°C
 Application Environment **Vacuum**
 Connectors SMA-Female(Stainless Steel)
 Housing Material H62 Copper Alloy
 Finish Black Painted
 Weight 36g

RoHS Compliant



Drawing not to scale, units:mm



www.titan-microwave.com
 Tel: +86 130 866 58398
 Email: sales@titan-microwave.com
 chris@titan-microwave.com

PART NUMBER TBF-05250625-30S		DESCRIPTION Interdigital Band Pass Filter, Passband 5.25~6.25GHz Stopband Rejection 30dB, 5W, SMA-Female
CAGE CODE	SIGNATURE	
EXCEPT AS OTHERWISE PROVIDED BY CONTRACTOR THIS DRAWING OR SPECIFICATION IS PROPERTY OF TITAN MICROWAVE INC. IT IS ISSUED IN STRICT CONFIDENCE AND SHALL NOT BE REPRODUCED OR USED AS THE BASIS.		