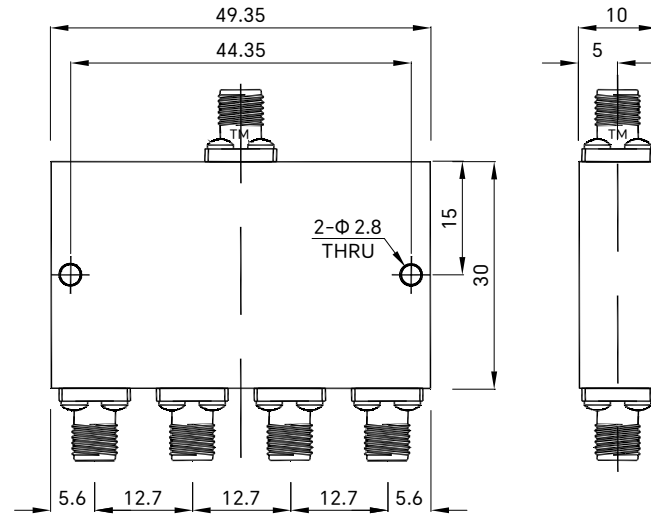


PART NUMBER TMPD4-08001000-30S	REV.	DATE	COMMENTS	INITIAL
	1	2020/7/18	ENGINEERING RELEASE	

Specifications

- Frequency Range 8-10GHz
- Insertion Loss 0.8dB max
- Nominal Splitter Loss 6.02dB typ
- VSWR(input) 1.4:1 max
- VSWR(output) 1.4:1 max
- Isolation 18dB min
- Amplitude Balance ± 0.3dB max
- Phase Balance ± 3° max
- Impedance 50 Ohm
- Power Handling 30W (Forward)
- Power Handling 1W (Reverse)
- Connectors SMA-Female(Stainless Steel, Passivated)
- Center Contact Gold Plated Beryllium Copper
- Dimensions 49.3 × 30 × 10mm
- Surface Finish Black/Blue Painted
- Material Aluminum 6061
- Temperature Range -45°C~+85°C



Drawing not to scale, units:mm



www.titan-microwave.com
 Tel: +86 130 866 58398
 Email: sales@titan-microwave.com
 chris@titan-microwave.com

PART NUMBER TMPD4-08001000-30S		DESCRIPTION Power Divider, 4 Way, 8-10GHz, 30W, SMA-Female
CAGE CODE	SIGNATURE	
EXCEPT AS OTHERWISE PROVIDED BY CONTRACTOR THIS DRAWING OR SPECIFICATION IS PROPERTY OF TITAN MICROWAVE INC. IT IS ISSUED IN STRICT CONFIDENCE AND SHALL NOT BE REPRODUCED OR USED AS THE BASIS.		