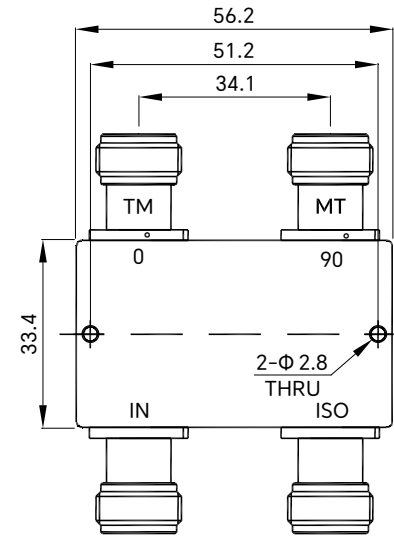
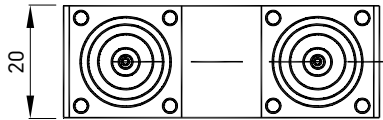


PART NUMBER  
**TMHC90-03300380-150N**

REV.	DATE	COMMENTS	INITIAL
1	2020/8/13	ENGINEERING RELEASE	

**Specifications**

- Frequency Range ..... 3.3-3.8GHz
- Insertion Loss ..... 0.5dB max
- Nominal Coupling ..... 3.01dB typ
- VSWR ..... 1.4:1 max
- Isolation ..... 20dB min
- Amplitude Balance ..... ± 0.6dB max
- Phase Balance ..... ± 5° max
- Impedance ..... 50 Ohms
- Power Handling ..... 150W (Average), 3kW (Peak)
- Connectors ..... N-Female
- Center Contact ..... Gold Plated Beryllium Copper
- Dimensions ..... 56.2 × 33.4 × 20mm
- Surface Finish ..... Black/Blue Painted
- Material ..... Aluminum 6061
- Temperature Range ..... -45°C~+85°C
- Weight ..... 170g



RoHS Compliant

Drawing not to scale, units:mm



www.titan-microwave.com  
 Tel: +86 130 866 58398  
 Email: sales@titan-microwave.com  
 chris@titan-microwave.com

PART NUMBER <b>TMHC90-03300380-150N</b>		DESCRIPTION 90° Hybrid Coupler, 3.3~3.8GHz, 150W, N-Female
CAGE CODE	SIGNATURE _____	
EXCEPT AS OTHERWISE PROVIDED BY CONTRACTOR THIS DRAWING OR SPECIFICATION IS PROPERTY OF TITAN MICROWAVE INC. IT IS ISSUED IN STRICT CONFIDENCE AND SHALL NOT BE REPRODUCED OR USED AS THE BASIS.		