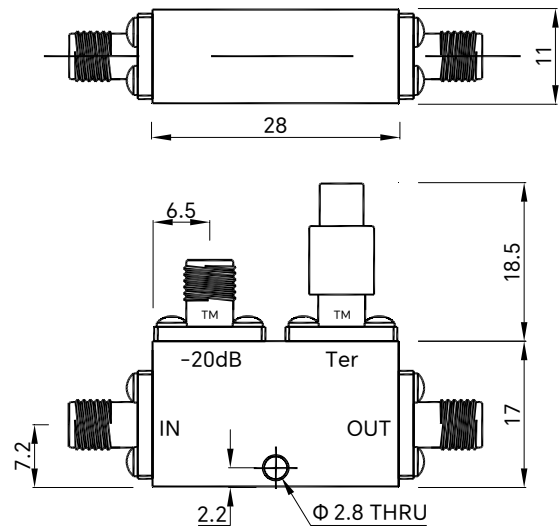


PART NUMBER TMDC-06004000-20K20	REV.	DATE	COMMENTS	INITIAL
	1	2021/8/13	ENGINEERING RELEASE	

Specifications

RoHS Compliant

Frequency Range 6-40GHz
 Insertion Loss 1.2dB max (Excluding Coupling Loss 0.04dB)
 Nominal Coupling 20 ± 1.0dB max
 Coupling Sensitivity ± 0.8dB max
 Directivity 12dB min
 VSWR Primary 1.6:1 max
 VSWR Secondary 1.6:1 max
 Impedance 50 Ohms
 Power Handling 20W (Incident), 1W (Reflected)
 Connectors 2.92mm-Female
 Center Contact Gold Plated Beryllium Copper
 Dimensions 28 × 17 × 11mm
 Surface Finish Black/Blue Painted
 Material Aluminum 6061
 Temperature Range -45°C~+85°C
 Weight 30g



Drawing not to scale, units:mm



www.titan-microwave.com
 Tel: +86 130 866 58398
 Email: sales@titan-microwave.com
 chris@titan-microwave.com

PART NUMBER TMDC-06004000-20K20		DESCRIPTION Directional Coupler, 6~40GHz, 20 ± 1dB, 20W 2.92mm-Female
CAGE CODE	SIGNATURE	
EXCEPT AS OTHERWISE PROVIDED BY CONTRACTOR THIS DRAWING OR SPECIFICATION IS PROPERTY OF TITAN MICROWAVE INC. IT IS ISSUED IN STRICT CONFIDENCE AND SHALL NOT BE REPRODUCED OR USED AS THE BASIS.		