

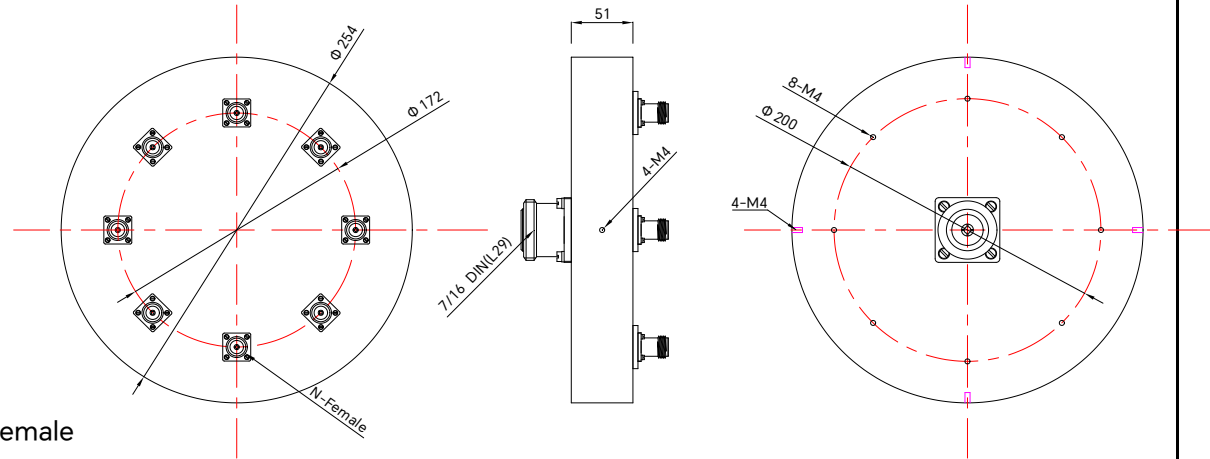
PART NUMBER
TMPC8-01000250-1000

REV.	DATE	COMMENTS	INITIAL
1	2022/5/21	ENGINEERING RELEASE	

Specifications

Frequency Range 1000-2500MHz
 Insertion Loss 0.8dB max
 VSWR 1.8:1 max
 Isolation 15dB min
 Amplitude Balance ± 0.5dB max
 Phase Balance ± 8° max
 Impedance 50 Ohm
 Power Handling 1000W (CW)
 Connectors N-Female & 7/16 DIN(L29)-Female

RoHS Compliant



Drawing not to scale, units:mm



www.titan-microwave.com
 Tel: +86 130 866 58398
 Email: sales@titan-microwave.com
 chris@titan-microwave.com

PART NUMBER
TMPC8-01000250-1000

CAGE CODE _____
SIGNATURE _____

EXCEPT AS OTHERWISE PROVIDED BY CONTRACTOR
 THIS DRAWING OR SPECIFICATION IS PROPERTY OF
 TITAN MICROWAVE INC. IT IS ISSUED IN STRICT
 CONFIDENCE AND SHALL NOT BE REPRODUCED OR
 USED AS THE BASIS.

DESCRIPTION
Power Combiner, 8 Way, 1~2.5GHz, 1000W
N-Female & 7/16 DIN(L29)

