

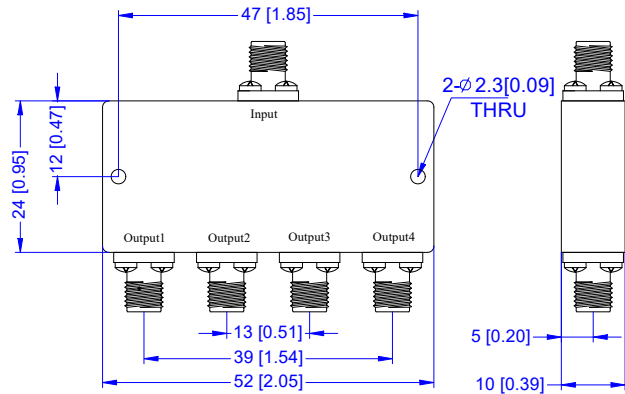
TMPD4-25005000-204

**25 to 50 GHz, 20W, 2.4mm-Female
4-WAY POWER DIVIDER**

Electrical Characteristics

- Frequency Range** 20~50GHz
- Insertion Loss** 1.3dB typ, 2.0dB max.
(excluding theoretical insertion loss 6.0dB)
- Amplitude Balance** ± 0.3 dB typ, ± 0.4 dB max
- Phase Balance** $\pm 5^\circ$ typ, $\pm 10^\circ$ max
- VSWR(input port)** 1.6:1 typ, 1.8:1 max
- VSWR(output ports)** 1.4:1 typ, 1.6:1 max
- Isolation** 16dB typ. & 15dB min
- Impedance** 50 Ohms
- Power Rating(Forward)** 20W
- Power Rating(Reverse)** 0.5W

Outline Drawing(mm[inch])



Mechanical & Environmental Characteristics

- Dimensions** 52 × 24 × 10mm
- RF Connectors** 2.4mm-Female
- Surface Finishing** Black/Blue/Gray Paint
- Operating Temperature** -40°C~+85°C
- Storage Temperature** -50°C~+105°C
- Weight** 52g