

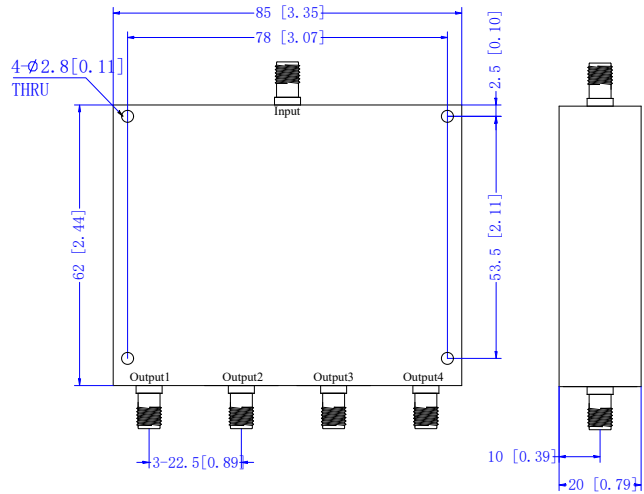
TMPD4-00800420-30S

**0.8 to 4.2 GHz, 30W, SMA-Female
4-WAY POWER DIVIDER**

Electrical Characteristics

- Frequency Range** 0.8~4.2GHz
- Insertion Loss** 0.8dB typ, 1.2dB max
(excluding theoretical insertion loss 6.0dB)
- Amplitude Balance** ± 0.3 dB typ, ± 0.4 dB max
- Phase Balance** $\pm 3^\circ$ typ, $\pm 5^\circ$ max
- VSWR(input port)** 1.35:1 typ, 1.5:1 max
- VSWR(output ports)** 1.25:1 typ, 1.4:1 max
- Isolation** 18dB min, 22dB typ
- Impedance** 50 Ohms
- Power Rating(Forward)** 30W
- Power Rating(Reverse)** 1W

Outline Drawing(mm[inch])



Mechanical & Environmental Characteristics

- Dimensions** 85 × 62 × 20mm
- RF Connectors** SMA-Female
- Surface Finishing** Black/Blue/Gray Paint
- Operating Temperature** -40°C~+85°C
- Storage Temperature** -50°C~+105°C
- Weight** 215g