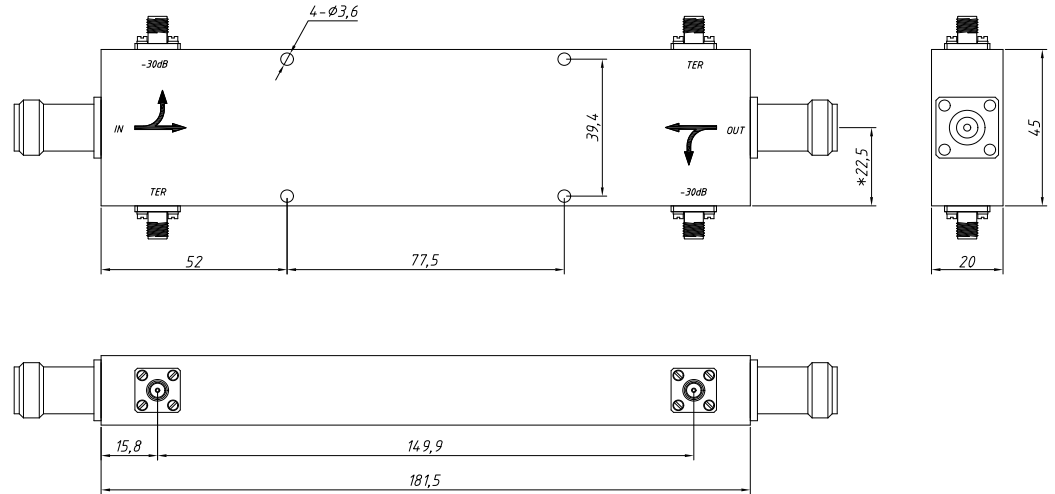


PART NUMBER TDDC-00400800-30NS250	REV.	DATE	COMMENTS	INITIAL
	1	2024/2/21	ENGINEERING RELEASE	

Specifications

Frequency Range 0.4-8GHz
 Nominal Coupling 30 ± 1.0dB
 Coupling Flatness ± 1.5dB max
 Directivity 12dB min
 Insertion Loss 0.8dB max
 VSWR Primary 1.4:1 max
 VSWR Secondary 1.5:1 max
 Average Power 250W(CW)
 Peak Power 3kW
 Impedance 50 Ohms
 Input/Output Connectors N-Female
 Coupling Ports SMA-Female
 Surface Finish Conductive Oxidation
 Operating Temperature -55°C~+85°C

RoHS Compliant



Drawing not to scale, units:mm



www.titan-microwave.com
 Tel: +86 130 866 58398
 Email: sales@titan-microwave.com
 chris@titan-microwave.com

PART NUMBER TDDC-00400800-30NS250		DESCRIPTION Dual Directional Coupler, 0.4-8GHz, 30 ± 1dB Coupling 250W, N-Female & SMA-Female
CAGE CODE	SIGNATURE	
EXCEPT AS OTHERWISE PROVIDED BY CONTRACTOR THIS DRAWING OR SPECIFICATION IS PROPERTY OF TITAN MICROWAVE INC. IT IS ISSUED IN STRICT CONFIDENCE AND SHALL NOT BE REPRODUCED OR USED AS THE BASIS.		