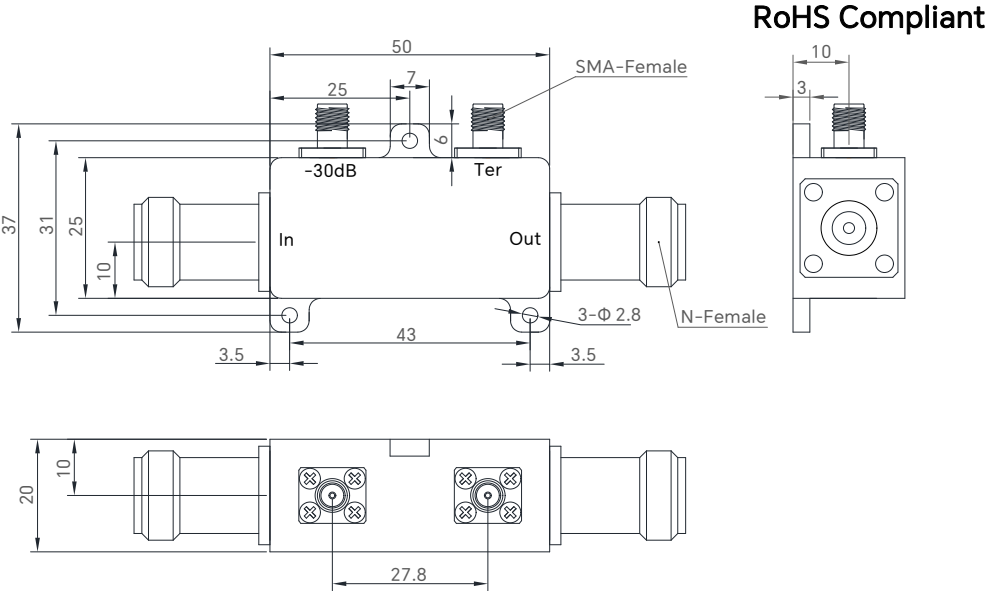


PART NUMBER
TMDC-03001000-30NS400

REV.	DATE	COMMENTS	INITIAL
1	2024/2/21	ENGINEERING RELEASE	

Specifications

Frequency Range	3-10GHz
Nominal Coupling	30 ± 1.0dB
Coupling Flatness	± 0.7dB max
Directivity	10dB min
Insertion Loss	0.6dB max
VSWR Primary	1.4:1 max
VSWR Secondary	1.6:1 max
Average Power	400W(CW)
Peak Power	3kW(Pulse width ≥ 1us, Duty cycle ≥ 10%)
Impedance	50 Ohms
Input/Output Connectors	SMA-Female & N-Female
Surface Finish	Conductive Oxidation
Operating Temperature	-55°C~+85°C



RoHS Compliant

Drawing not to scale, units:mm



www.titan-microwave.com
 Tel: +86 130 866 58398
 Email: sales@titan-microwave.com
 chris@titan-microwave.com

PART NUMBER		DESCRIPTION Directional Coupler, 3-10GHz, 30dB Coupling 400W, N-Female & SMA-Female
TMDC-03001000-30NS400		
CAGE CODE	SIGNATURE	
EXCEPT AS OTHERWISE PROVIDED BY CONTRACTOR THIS DRAWING OR SPECIFICATION IS PROPERTY OF TITAN MICROWAVE INC. IT IS ISSUED IN STRICT CONFIDENCE AND SHALL NOT BE REPRODUCED OR USED AS THE BASIS.		