

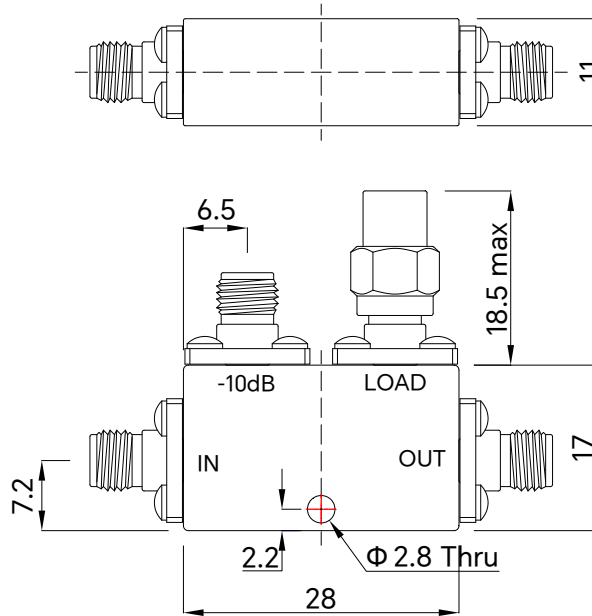
PART NUMBER
TMDC-25002700-10K20

REV.	DATE	COMMENTS	INITIAL
1	2023/10/10	ENGINEERING RELEASE	

Specifications

RoHS Compliant

Frequency Range 25-27GHz
 Nominal Coupling 10 ± 1.0dB
 Frequency Sensitivity ± 1.0dB max
 Directivity 15dB min
 Insertion Loss 0.8dB max
 (Excluding Coupling Loss 0.46dB)
 VSWR Primary 1.5:1 max
 VSWR Secondary 1.5:1 max
 Power Handling(Incident) 20W max
 Power Handling(Reflected) 1W max
 Impedance 50 Ohms
 Input/Output Connectors 2.92mm-Female
 Material Aluminum Alloy 6061
 Surface Finish Black Painted
 Temperature Range -40°C~+80°C
 Net Weight 30g



Drawing not to scale, units:mm



www.titan-microwave.com
 Tel: +86 130 866 58398
 Email: sales@titan-microwave.com
 chris@titan-microwave.com

PART NUMBER TMDC-25002700-10K20		DESCRIPTION Directional Coupler, 25-27GHz, 10dB 20W, 2.92mm-Female
CAGE CODE	SIGNATURE	
EXCEPT AS OTHERWISE PROVIDED BY CONTRACTOR THIS DRAWING OR SPECIFICATION IS PROPERTY OF TITAN MICROWAVE INC. IT IS ISSUED IN STRICT CONFIDENCE AND SHALL NOT BE REPRODUCED OR USED AS THE BASIS.		