

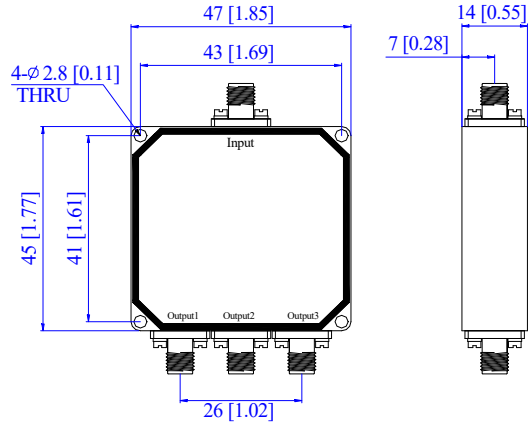
TMPD3-08001800-30S

**8 to 18 GHz, 30W, SMA-Female
3-WAY POWER DIVIDER**

Electrical Characteristics

- Frequency Range** 8~18GHz
- Insertion Loss** 0.7dB typ, 1.0dB max
(excluding theoretical insertion loss 4.8dB)
- Amplitude Balance** ± 0.35 dB typ, ± 0.6 dB max
- Phase Balance** $\pm 3^\circ$ typ, $\pm 5^\circ$ max
- VSWR(input port)** 1.4:1 typ, 1.5:1 max
- VSWR(output ports)** 1.3:1 typ, 1.5:1 max
- Isolation** 18dB min, 20dB typ
- Impedance** 50 Ohms
- Power Rating(Forward)** 30W
- Power Rating(Reverse)** 1W

Outline Drawing(mm[inch])



Mechanical & Environmental Characteristics

- Dimensions** 47 × 45 × 14mm
- RF Connectors** SMA-Female
- Surface Finishing** Black/Blue/Gray Paint
- Package** Laser Welded
- Operating Temperature** -40°C~+85°C
- Storage Temperature** -50°C~+105°C