

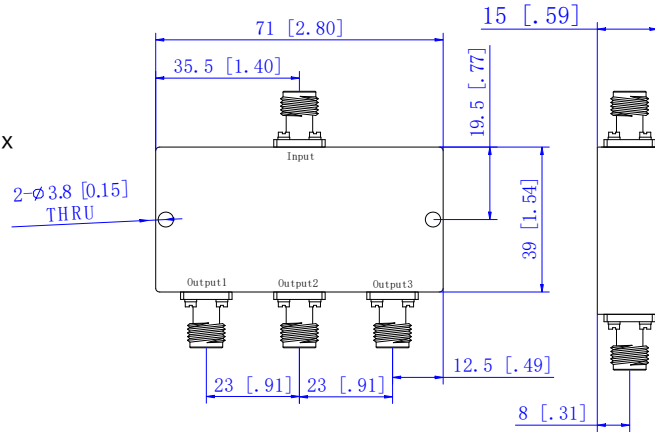
**TMPD3-06001800-30T**

**6 to 18 GHz, 30W, TNC-Female  
3-WAY POWER DIVIDER**

**Electrical Characteristics**

- Frequency Range** ..... 6~18GHz
- Insertion Loss** ..... 0.8dB typ, 1.2dB max  
(excluding theoretical insertion loss 4.8dB)
- Amplitude Balance** .....  $\pm 0.3$ dB typ,  $\pm 0.4$ dB max
- Phase Balance** .....  $\pm 5^\circ$  typ,  $\pm 6^\circ$  max
- VSWR(input port)** ..... 1.5:1 typ, 1.7:1 max
- VSWR(output ports)** ..... 1.4:1 typ, 1.5:1 max
- Isolation** ..... 18dB min, 20dB typ
- Impedance** ..... 50 Ohms
- Power Rating(Forward)** ..... 30W
- Power Rating(Reverse)** ..... 1W

**Outline Drawing(mm[inch])**



**Mechanical & Environmental Characteristics**

- Dimensions** ..... 71 × 39 × 15mm
- RF Connectors** ..... TNC-Female
- Surface Finishing** ..... Black/Blue/Gray Paint
- Weight** ..... 135g
- Operating Temperature** ..... -40°C~+85°C
- Storage Temperature** ..... -50°C~+105°C