

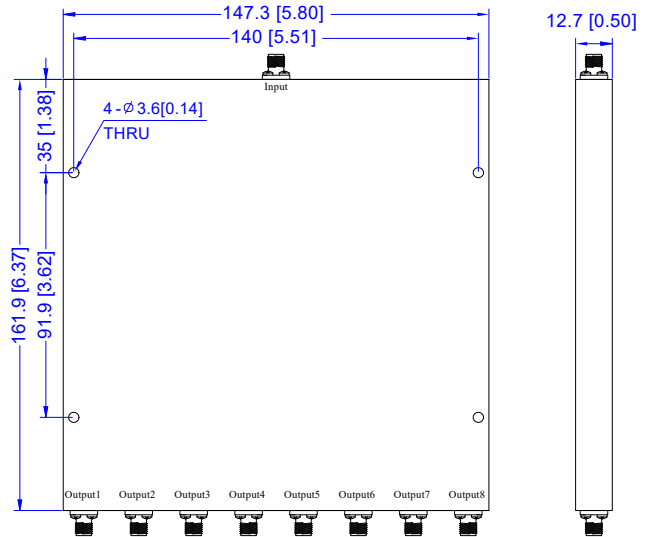
TMPD8-00502650-20S

**0.5 to 26.5 GHz, 20W, SMA-Female
8-WAY POWER DIVIDER**

Electrical Characteristics

Frequency Range 0.5~26.5GHz
Insertion Loss 7.6dB max
 (excluding theoretical insertion loss 9.0dB)
Amplitude Balance ± 0.5 dB typ
Phase Balance $\pm 5^\circ$ typ
VSWR(input port) 1.6:1 typ
VSWR(output ports) 1.5:1 max
Isolation 16dB min@0.5-1GHz
Isolation 18dB min@1-26.5GHz
Impedance 50 Ohms
Power Handling 20W typ

Outline Drawing(mm[inch])



Mechanical & Environmental Characteristics

Dimensions 147.3 × 161.9 × 12.7mm
RF Connectors SMA-Female
Surface Finishing Black/Blue/Gray Paint
Operating Temperature -40°C~+85°C
Storage Temperature -50°C~+105°C