

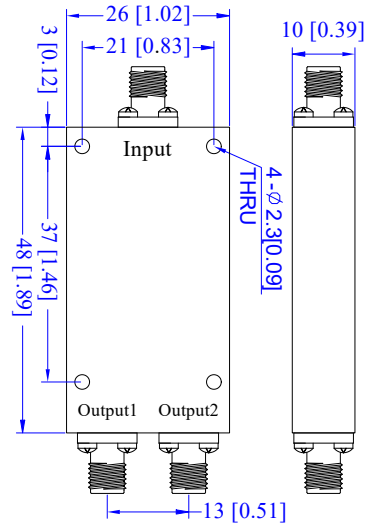
**TMPD2-02005200-54**

**2 to 52 GHz, 5W, 2.4mm-Female  
2-WAY POWER DIVIDER**

**Electrical Characteristics**

- Frequency Range** ..... 2~52GHz
- Insertion Loss** ..... 3.0dB typ, 3.8dB max  
(excluding theoretical insertion loss 3.0dB)
- Amplitude Balance** .....  $\pm 0.5$ dB max
- Phase Balance** .....  $\pm 5^\circ$  typ,  $\pm 7^\circ$  max
- VSWR(input port)** ..... 1.6:1 typ, 1.8:1 max
- VSWR(output ports)** ..... 1.5:1 typ, 1.7:1 max
- Isolation** ..... 15dB min
- Impedance** ..... 50 Ohms
- Power Handling** ..... 5W

**Outline Drawing(mm[inch])**



**Mechanical & Environmental Characteristics**

- Dimensions** ..... 26 × 48 × 10mm
- RF Connectors** ..... 2.4mm-Female
- Material** ..... Aluminum
- Surface Finishing** ..... Black/Blue/Gray Paint
- Operating Temperature** ..... -40°C~+85°C
- Storage Temperature** ..... -50°C~+105°C