

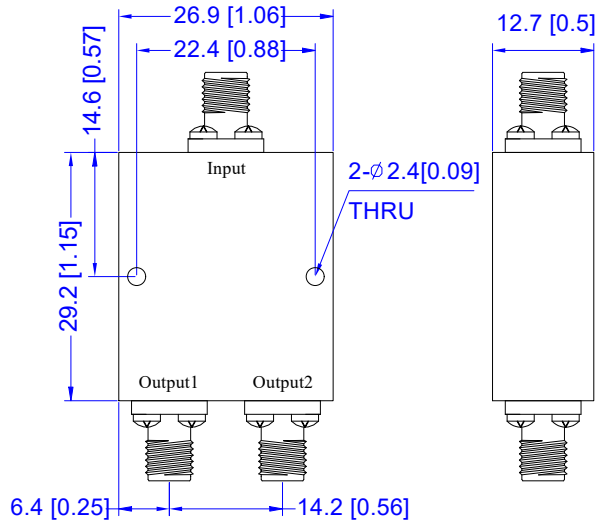
TMPD2-06004400-10K

**6 to 44 GHz, 10W, 2.92mm-Female
2-WAY POWER DIVIDER**

Electrical Characteristics

- Frequency Range** 6~44GHz
- Insertion Loss** 1.8dB max
(excluding theoretical insertion loss 3.0dB)
- Amplitude Balance** ± 0.4 dB max
- Phase Balance** $\pm 5^\circ$ max
- VSWR(input port)** 1.8:1 max
- VSWR(output ports)** 1.6:1 max
- Isolation** 15dB min
- Impedance** 50 Ohms
- Power Handling** 10W

Outline Drawing(mm[inch])



Mechanical & Environmental Characteristics

- Dimensions** 26.9 × 29.2 × 12.7mm
- RF Connectors** 2.92mm-Female
- Material** Aluminum
- Surface Finishing** Black/Blue/Gray Paint
- Operating Temperature** -40°C~+85°C
- Storage Temperature** -50°C~+105°C