

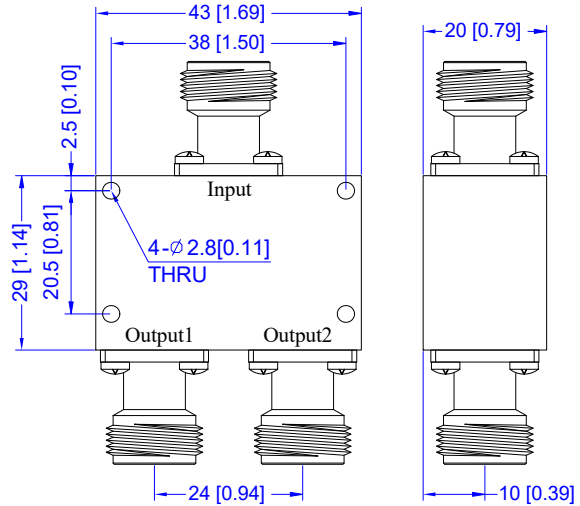
TMPD2-07500900-30N

**7.5 to 9 GHz, 30W, N-Female
2-WAY POWER DIVIDER**

Electrical Characteristics

Frequency Range 7.5~9GHz
Insertion Loss 0.8dB max
 (excluding theoretical insertion loss 3.0dB)
Amplitude Balance ± 0.3 dB max
Phase Balance $\pm 4^\circ$ max
VSWR(input port) 1.4:1 max
VSWR(output ports) 1.3:1 max
Isolation 18dB min
Impedance 50 Ohms
Power Handling 30W

Outline Drawing(mm[inch])



Mechanical & Environmental Characteristics

Dimensions 43 × 29 × 20mm
RF Connectors N-Female
Material Aluminum
Surface Finishing Black/Blue/Gray Paint
Operating Temperature -40°C~+85°C
Storage Temperature -50°C~+105°C