

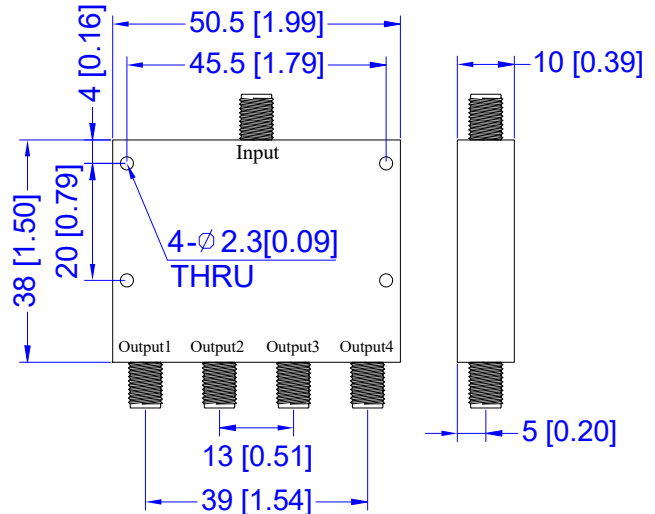
TMPD4-07500900-20S

**7.5 to 9 GHz, 20W, SMA-Female
4-WAY POWER DIVIDER**

Electrical Characteristics

Frequency Range 7.5~9GHz
Insertion Loss 0.8dB max
 (excluding theoretical insertion loss 6.0dB)
Amplitude Balance ± 0.4 dB max
Phase Balance $\pm 4^\circ$ max
VSWR(input port) 1.5:1 max
VSWR(output ports) 1.4:1 max
Isolation 18dB min, 20dB typ
Impedance 50 Ohms
Power Handling 20W

Outline Drawing(mm[inch])



Mechanical & Environmental Characteristics

Dimensions 50.5 × 38 × 10mm
RF Connectors SMA-Female
Material Aluminum
Surface Finishing Black/Blue/Gray Paint
Operating Temperature -40°C~+85°C
Storage Temperature -50°C~+105°C