

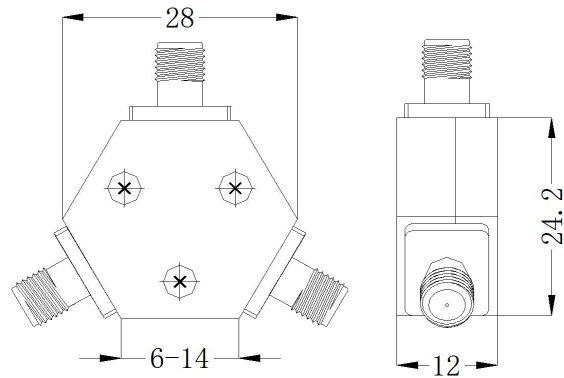
**TMPD2-00001000-S2**

**DC to 10 GHz, 2W, SMA-Female  
2-WAY RESISTIVE POWER DIVIDER**

**Electrical Characteristics**

**Frequency Range** ..... DC~10GHz  
**Insertion Loss** ..... 7.5dB max  
**Amplitude Balance** .....  $\pm 0.3$ dB  
**VSWR(input port)** ..... 1.4:1 max  
**VSWR(output ports)** ..... 1.4:1 max  
**Isolation** ..... 5.8dB min  
**Impedance** ..... 50 Ohms  
**Power Rating** ..... 2W

**Outline Drawing(mm[inch])**



**Mechanical & Environmental Characteristics**

**Dimensions** ..... 28 × 24.2 × 12mm  
**RF Connectors** ..... SMA-Female  
**Material** ..... Aluminum  
**Surface Finishing** ..... Black/Blue/Gray Paint  
**Operating Temperature** ..... -35°C~+75°C