

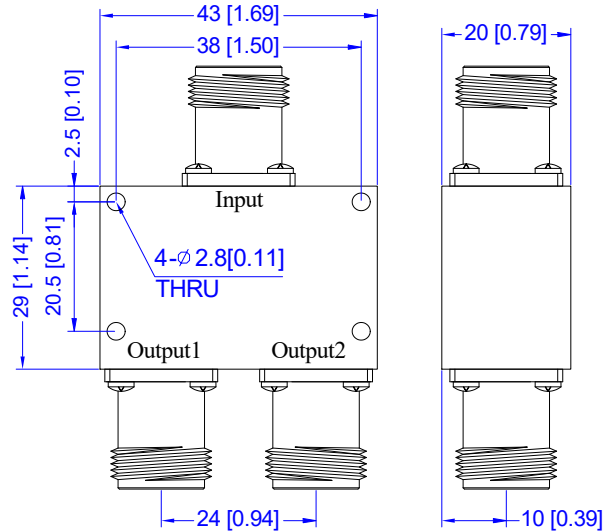
**TMPD2-04000800-30NA**

**4 to 8 GHz, 30W, N-Female  
2-WAY POWER DIVIDER**

**Electrical Characteristics**

- Frequency Range** ..... 4~8GHz
- Insertion Loss** ..... 0.6dB max  
(excluding theoretical insertion loss 3.0dB)
- Amplitude Balance** .....  $\pm 0.3$ dB max
- Phase Balance** .....  $\pm 3^\circ$  max
- VSWR(input port)** ..... 1.3:1 max
- VSWR(output ports)** ..... 1.25:1 max
- Isolation** ..... 20dB min
- Impedance** ..... 50 Ohms
- Power Rating(Forward)** ..... 30W
- Power Rating(Reverse)** ..... 2W

**Outline Drawing(mm[inch])**



**Mechanical & Environmental Characteristics**

- Dimensions** ..... 43 × 29 × 20mm
- RF Connectors** ..... N-Female
- Material** ..... Aluminum
- Surface Finishing** ..... Black/Blue/Gray Paint
- Operating Temperature** ..... -40°C~+85°C
- Storage Temperature** ..... -50°C~+105°C