

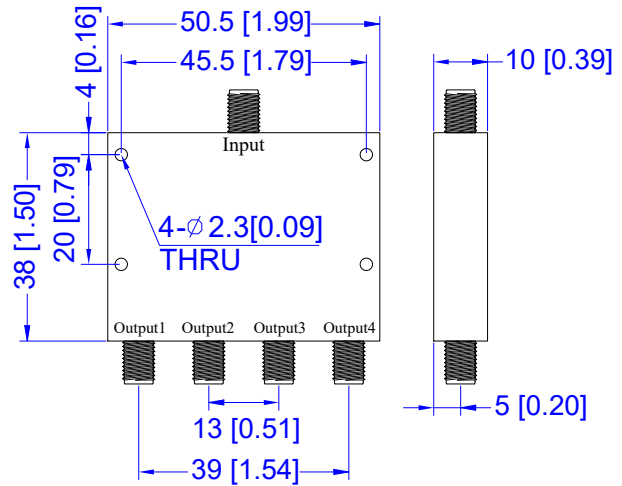
**TMPD4-07900850-20S**

**7.9 to 8.5 GHz, 20W, SMA-Female  
4-WAY POWER DIVIDER**

**Electrical Characteristics**

**Frequency Range** ..... 7.9~8.5GHz  
**Insertion Loss** ..... 0.8dB max.  
 (excluding theoretical insertion loss 6.0dB)  
**Amplitude Balance** .....  $\pm 0.3$ dB max  
**Phase Balance** .....  $\pm 4^\circ$  max  
**VSWR(input port)** ..... 1.5:1 max  
**VSWR(output ports)** ..... 1.4:1 max  
**Isolation** ..... 16dB min, 20dB typ  
**Impedance** ..... 50 Ohms  
**Power Handling** ..... 20W

**Outline Drawing(mm[inch])**



**Mechanical & Environmental Characteristics**

**Dimensions** ..... 50.5 × 38 × 10mm  
**RF Connectors** ..... SMA-Female  
**Surface Finishing** ..... Black/Blue/Gray Paint  
**Operating Temperature** ..... -40°C~+85°C  
**Storage Temperature** ..... -50°C~+105°C  
**Weight** ..... 50g