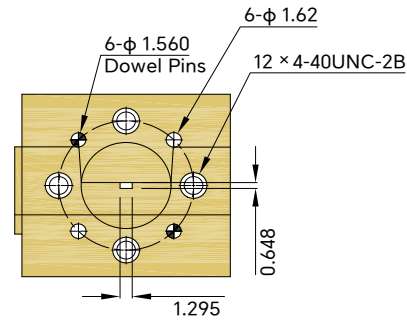
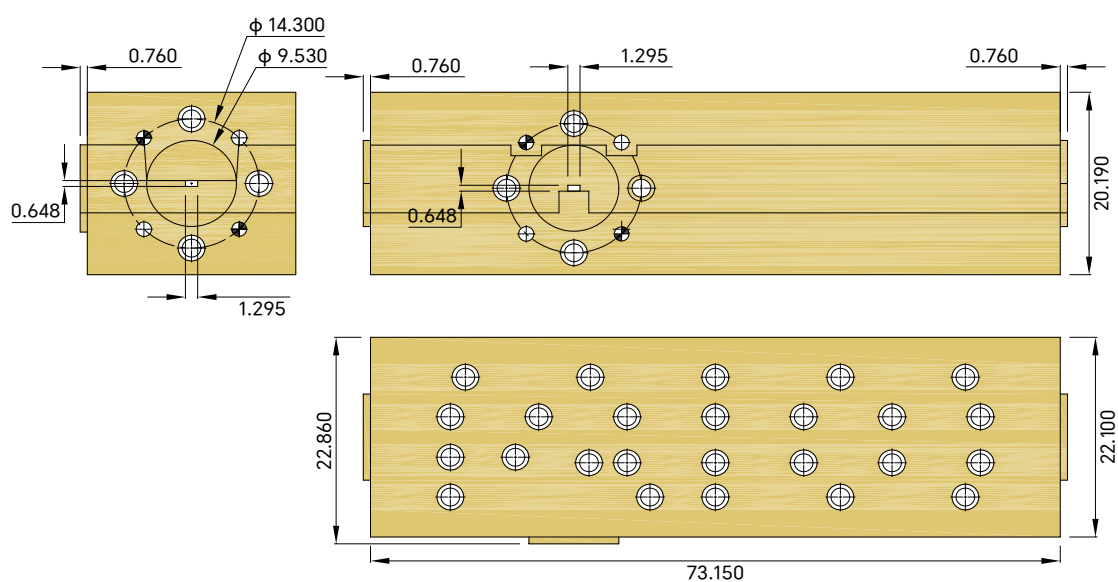


PART NUMBER <b>TWDC5D25C6</b>	REV.	DATE	COMMENTS	INITIAL
	1	2021/4/25	ENGINEERING RELEASE	



RoHS Compliant

Frequency Range .....	145-220GHz
Coupling .....	6±2dB
Directivity .....	25dB min
VSWR Primary .....	1.15:1 max
VSWR Secondary .....	1.3:1 max
Impedance .....	50 Ohms
Waveguide Type .....	WR-5
Flange Type .....	FUGP1800 Circular Flange
Waveguide Body .....	Copper, Glod Plated
Dimensions .....	73.15×22.86×20.19mm

Drawing not to scale, units:mm



www.titan-microwave.com  
 Tel: +86 185 8328 2993  
 Email: sales@titan-microwave.com  
 chris@titan-microwave.com

PART NUMBER <b>TWDC5D25C6</b>		DESCRIPTION <b>Waveguide Directional Coupler, WR-5 145-220GHz, Coupling 6 ± 2dB</b>
CAGE CODE	SIGNATURE _____	
EXCEPT AS OTHERWISE PROVIDED BY CONTRACTOR THIS DRAWING OR SPECIFICATION IS PROPERTY OF TITAN MICROWAVE INC. IT IS ISSUED IN STRICT CONFIDENCE AND SHALL NOT BE REPRODUCED OR USED AS THE BASIS.		