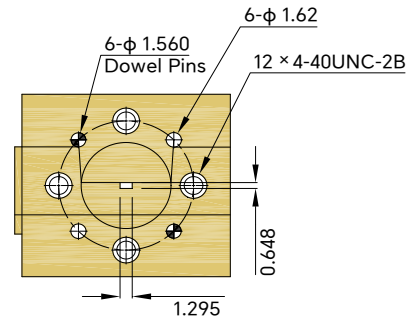
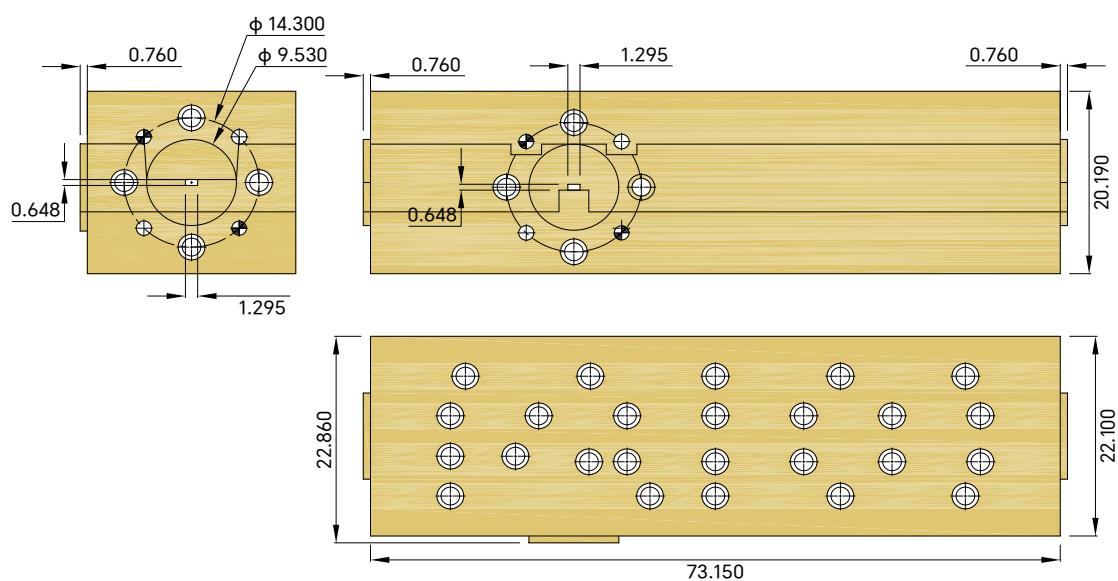


PART NUMBER TWDC5D25C9	REV.	DATE	COMMENTS	INITIAL
	1	2021/4/25	ENGINEERING RELEASE	



RoHS Compliant

Frequency Range	145-220GHz
Coupling	9±2dB
Directivity	25dB min
VSWR Primary	1.15:1 max
VSWR Secondary	1.3:1 max
Impedance	50 Ohms
Waveguide Type	WR-5
Flange Type	FUGP1800 Circular Flange
Waveguide Body	Copper, Glod Plated
Dimensions	73.15×22.86×20.19mm

Drawing not to scale, units:mm



www.titan-microwave.com
Tel: +86 185 8328 2993
Email: sales@titan-microwave.com
chris@titan-microwave.com

PART NUMBER TWDC5D25C9		DESCRIPTION Waveguide Directional Coupler, WR-5 145-220GHz, Coupling 9 ± 2dB
CAGE CODE	SIGNATURE	
EXCEPT AS OTHERWISE PROVIDED BY CONTRACTOR THIS DRAWING OR SPECIFICATION IS PROPERTY OF TITAN MICROWAVE INC. IT IS ISSUED IN STRICT CONFIDENCE AND SHALL NOT BE REPRODUCED OR USED AS THE BASIS.		