

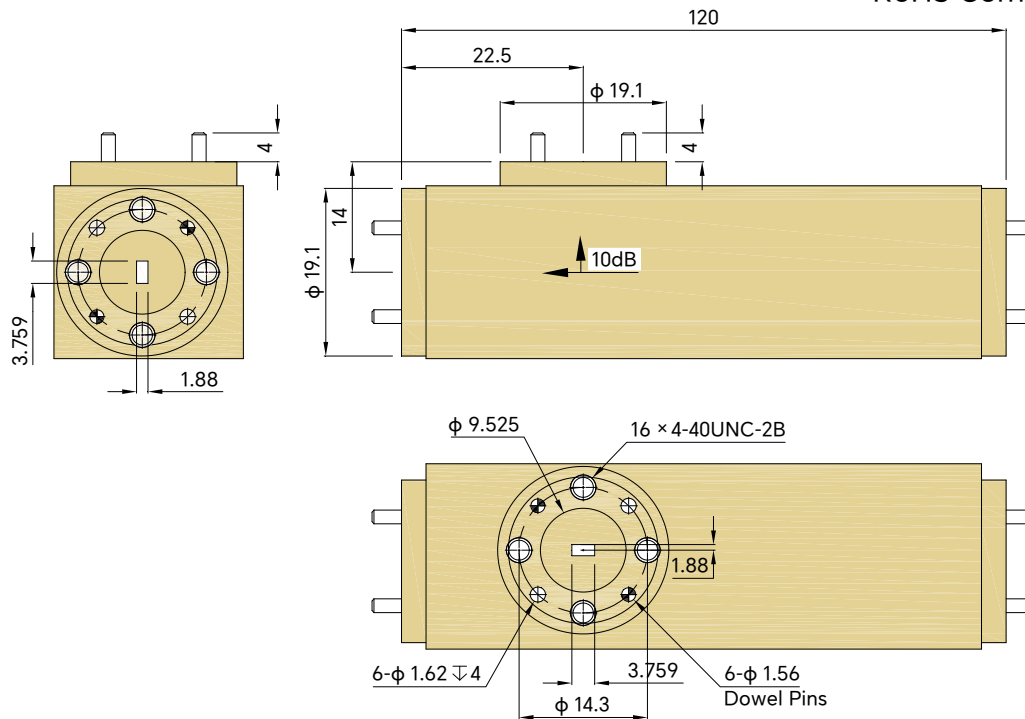
|                     |
|---------------------|
| PART NUMBER         |
| <b>TWDC15D40C10</b> |

| REV. | DATE      | COMMENTS            | INITIAL |
|------|-----------|---------------------|---------|
| 1    | 2021/4/25 | ENGINEERING RELEASE |         |

## Specifications

|                       |                         |
|-----------------------|-------------------------|
| Frequency Range ..... | 50-75GHz                |
| Coupling .....        | 10±1.5dB                |
| Directivity .....     | 40dB min                |
| VSWR Primary .....    | 1.2:1 max               |
| VSWR Secondary .....  | 1.3:1 max               |
| Impedance .....       | 50 Ohms                 |
| Waveguide Type .....  | WR-15                   |
| Flange Type .....     | FUGP620 Circular Flange |
| Waveguide Body .....  | Copper, Glod Plated     |
| Dimensions .....      | 120×Φ19.1mm             |

RoHS Compliant



Drawing not to scale, units:mm



www.titan-microwave.com  
 Tel: +86 185 8328 2993  
 Email: sales@titan-microwave.com  
 chris@titan-microwave.com

|  |           |   |
|--|-----------|---|
| PART NUMBER  |           | DESCRIPTION   |
| <b>TWDC15D40C10</b>  |           | <b>Waveguide Directional Coupler, WR-15<br/>50-75GHz, Coupling 10 ± 1.5dB</b> |
| CAGE CODE  | SIGNATURE |   |
|  | _____     |   |
| EXCEPT AS OTHERWISE PROVIDED BY CONTRACTOR<br>THIS DRAWING OR SPECIFICATION IS PROPERTY OF<br>TITAN MICROWAVE INC. IT IS ISSUED IN STRICT<br>CONFIDENCE AND SHALL NOT BE REPRODUCED OR<br>USED AS THE BASIS. |           |   |